



# Landustrie



*AERATORS FOR PULP & PAPER*

# Aerators for Pulp & Paper

## INTRODUCTION

Landustrie Sneek BV has a long history and broad experience in the field of surface aeration. Originally mainly in municipal installations but also for over 20 years in the pulp and paper industry.

Landustrie supplies equipment which lasts for decades, a characteristic which is very important for heavy duty applications in the pulp and paper industry.



## CHARACTERISTICS

The Landy-7 aerator can be installed either on a fixed bridge or on a floating construction. In order to reduce costs Landustrie has designed a new, less expensive and more rigid floating construction.

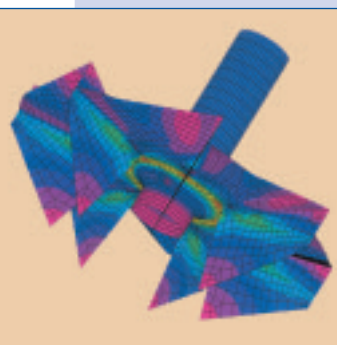
Oxygen capacity can be regulated by variation of the degree of submergence of the surface aerator or by regulating the speed by means of a variable frequency drive (VFD).

With the Landy-7 surface aerator proper mixing in the tank is guaranteed under all operational conditions.



## RESEARCH AND DEVELOPMENT

Landustrie has unique facilities for the design and testing of new aerators for the treatment of waste and process water. With a scientific approach Landustrie has created a fourth generation slow speed surface aerator which, in terms of efficiency, mixing and performance, is superior to any other aerator on the market. A high and constant efficiency over the lifetime of the aerator, extremely low reaction forces, low maintenance costs and simply regulated - these are the key words for the Landy-7 State-of-the-Art aerator. The mechanical design is based on Finite Element Analysis.



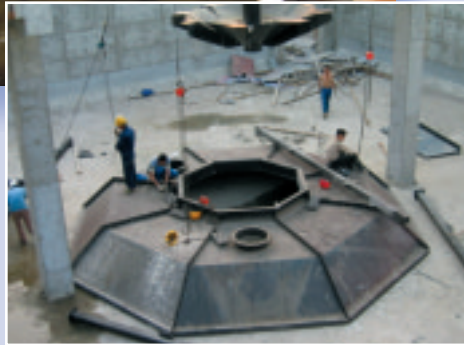
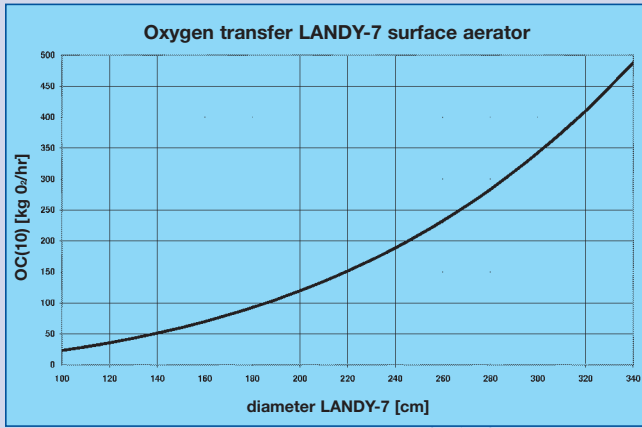




# Landustrie

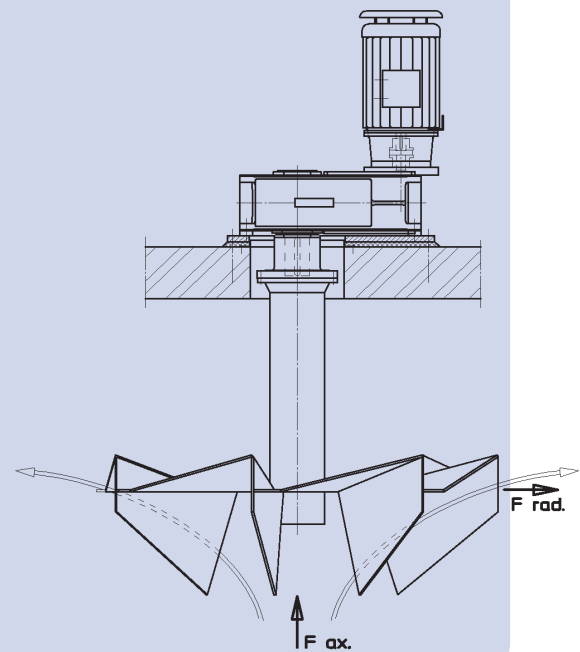
## COOPERATION

Landustrie has established excellent cooperations with suppliers of complete waste water treatment plants, for instance Paques, located in Balk, The Netherlands. Paques is the market leader in the field on anaerobic waste water treatment plants. After the anaerobic treatment in the bioreactor, Paques applies, where feasible, Landustrie aerators including aerocaps, in the biological treatment stage of the process. In this biological stage the Landy-7 aerators will not only take care of the required oxygen input, they also strip gasses (H<sub>2</sub>S amongst others), which are created elsewhere in the installation.



## ERECTION

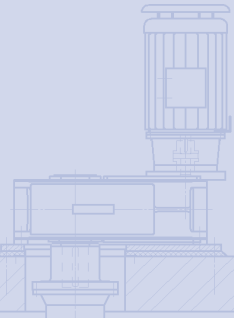
Landustrie has its own well-trained mechanics who install Landustrie equipment and facilities world-wide. If required by the client Landustrie can also send out very experienced supervisors who can supervise the erection on site.



# Aerators for Pulp & Paper

## REFERENCES

You can see some of our references on aeration on this page. In addition Landustrie has also supplied other equipment to the pulp and paper industry such as screw pumps, clarifiers rotating covers, screen cleaners and pumping installations.



STP Eerbeek, The Netherlands



Nogent-sur-Seine, France



Shanghai, China



De Halm, Hoogkerk, The Netherlands



Stora Enso, Sweden

For more detailed information on the aeration products and activities of Landustrie please look at the "Surface Aeration" brochures and at our "Company Profile". Both can be downloaded from [www.landustrie.nl](http://www.landustrie.nl).

**Landustrie** 

**Watertechnology**



**Landustrie Sneek BV**

P.O. Box 199  
NL-8600 AD Sneek  
The Netherlands

Tel. +31 515 - 48 68 88  
Fax +31 515 - 41 23 98  
e-mail [info@landustrie.nl](mailto:info@landustrie.nl)  
website [www.landustrie.nl](http://www.landustrie.nl)

Office address Pieter Zeemanstraat 6, Sneek