

Pump type: Submersible pump
 Application: Waste water, seawater

Pump data

Solids passage: 125 mm
 Discharge/ Suction: NW200/ NW200, PN16
 Impeller type: Closed screw impeller
 Impeller diameter: 305 - 260 mm
 Recommended min. flow: 23 l/sec (84 m3/h)
 Weight: 400 kg

Motor

Mains: 50 Hz – 3 phase
 Rated shaft power: 34.0 kW
 Rated electrical power: 39.5 kW
 Nominal speed: 1440 rpm
 Motor efficiency: 86 %
 Power factor (cos phi): 0.86
 Degree of protection: IP 68
 Isolation class: F (155°C)
 Standard with thermo-switches: 125°C
 Max. water temperature: 40°C
 Standard cable length: 10 m

Materials

Pump casing: AISI 329
 Impeller: AISI 329
 Motor unit: AISI 329
 Shaft: AISI 431
 Bolts: Alt. AISI 329
 Elastomers: AISI 316
 Viton (FPM)
 Electrical cable: Neoprene (CR)
 Seal lubrication: Oil
 Seal pump side: Silicon carbide – silicon carbide-Viton
 Seal motor side: Carbon - Ceramic

Installation options

Guide bar coupling: OWK 200-N (cast iron)



Freestanding Including support (VRS): 200 mm hose connection

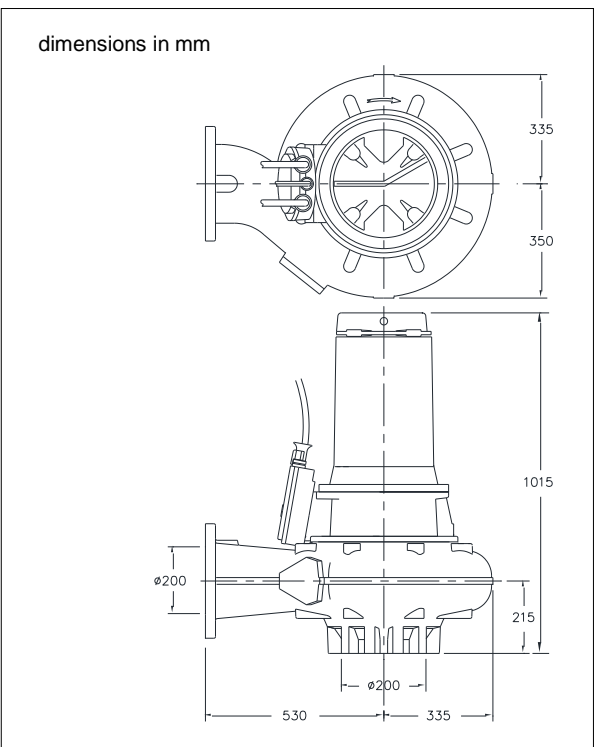
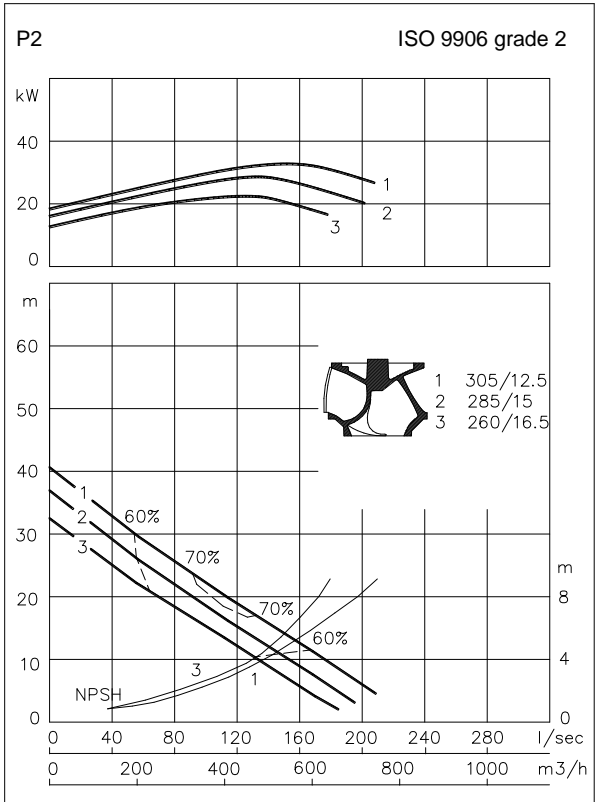


Dry Installation Including cooling system (ODO): vertical or horizontal install. discharge flange NW200 suction flange NW200



Optional

- Version with cooling system
- Cable protective sheathing (AISI 316)
- Water detector in motor and oil chamber



Connections

voltage [V]*	current [A]	Electrical cable size [mm ²]	
		motor protection and/or water detector direct start	star-delta start
230	115.5	-	2x4G16 + 4G2.5
400	66.4	1x4G16 + 4G2.5	2x4G10 + 4G2.5
500	53.1	1x4G16 + 4G2.5	2x4G6 + 4G2.5
starting current DOL start : 4.5 x rated current			
starting current YD start : 1.5 x rated current			

* other voltages on request