

Pump type:	Dry installed Slurry pump
Application:	Abrasive Media
Solids passage	2 1/2"
Discharge diameter	3"
Suction diameter	3"
Impeller type:	Vortex
Impeller code	225 - 205
Recommended min. flow	55 USGPM
Weight (HS IEC132 version)	145 lbs

Materials

Pump casing/ wear plate	Nihard 4 (HRC 55, HB 555)
Impeller	Nihard 4 (HRC 55, HB 555)
Pump shaft	AISI 431
	Alt: AISI 316
Pump support	Fe 360
Bolts	AISI 316
Seal lubrication	Oil
Seal pump side	Siliciumcarbide – siliciumcarbide
Seal motor side	Carbon - ceramic
Coating	Two component polyurethane

Installation options

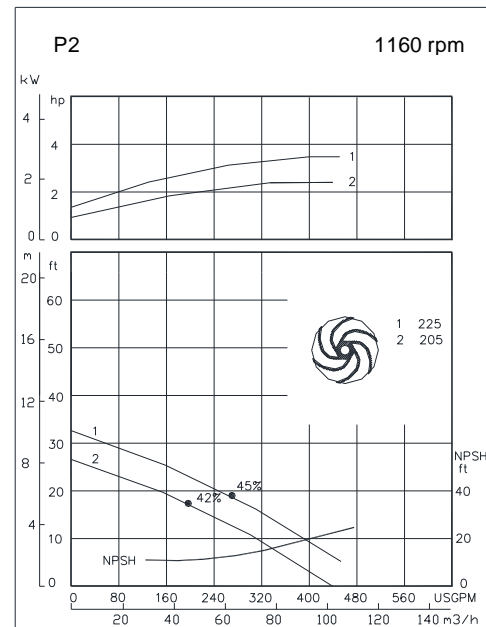
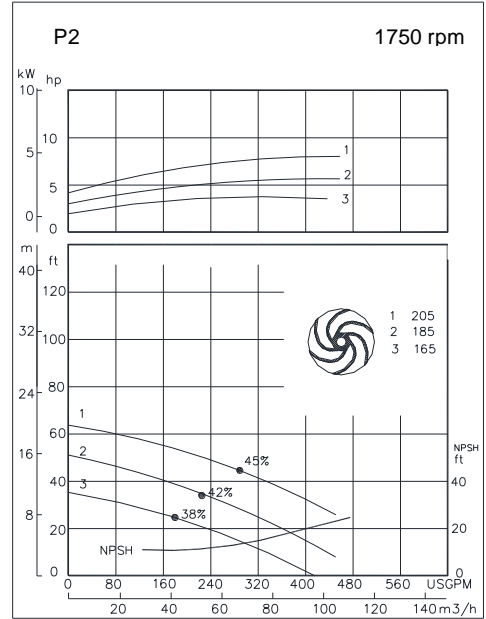
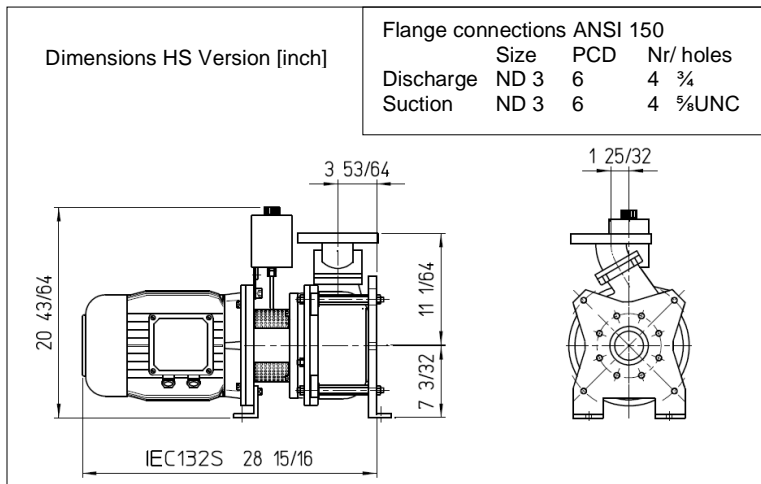
Horizontal (short coupled)	HS
Vertical (short coupled)	VS

Available motors 60 c/s (IP55)

IEC Size	HP	rpm
100L	2.32	1160
112M	6.17	1750
	3.39	1160
132S	8.5	1750
	4.62	1160
132M	11.6	1750
	14	1750

Optional

- Seal flushing



4.4 USGPM	1 m3/h
1ft	0.3 m
1HP	0.746 kW
1lb	0.45 kg

Pump type:	Dry installed Slurry pump
Application:	Abrasive Media
Solids passage	2 1/2"
Discharge diameter	3"
Suction diameter	3"
Impeller type:	Vortex
Impeller code	225 - 205
Recommended min. flow	55 USGPM
Weight (HS IEC132 version)	222 lbs

Materials

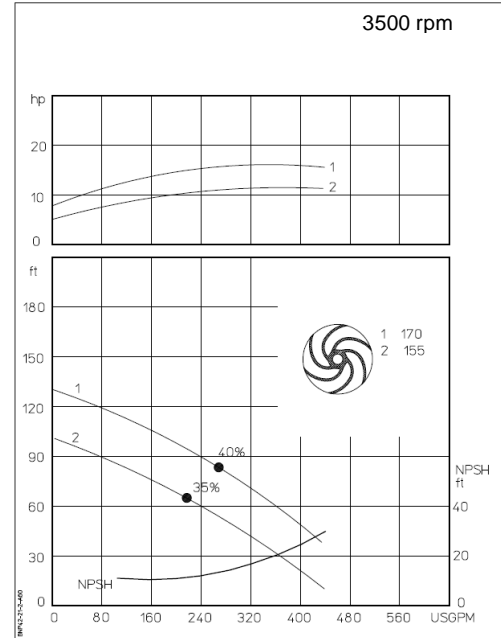
Pump casing/ wear plate	Nihard 4 (HRC 55, HB 555)
Impeller	Nihard 4 (HRC 55, HB 555)
Pump shaft	AISI 431
	Alt: AISI 316
Pump support	Fe 360
Bolts	AISI 316
Seal lubrication	Oil
Seal pump side	Siliciumcarbide – siliciumcarbide
Seal motor side	Carbon - ceramic
Coating	Two component polyurethane

Installation options

Horizontal bare shaft	HX	with motor and support	HM
Vertical bare shaft	VX	with motor and stand	VM
Horizontal (short coupled)	HS		
Vertical (short coupled)	VS		
V-belt driven	KM		

Available motors 60 c/s (IP55)

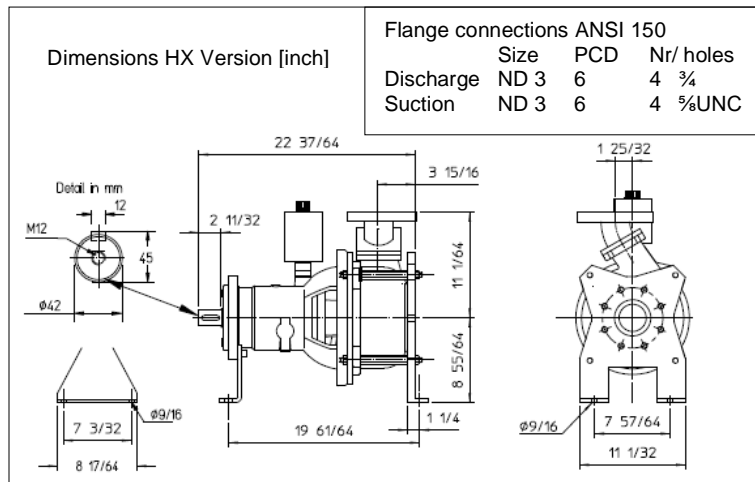
IEC Size	HP	rpm
160M	17.1	3500
	23	3500
160L	28	3500
180M	33	3500
180L	46	3500



15.9 USGPM	1 l/s
1ft	0.3 m
1HP	0.746
kW	
1lb	0.45 kg

Optional

- Seal flushing



Pump type:	Dry installed Slurry pump
Application:	Abrasive Media
Solids passage	2 1/2"
Discharge diameter	3"
Suction diameter	3"
Impeller type:	Vortex
Impeller code	225 - 205
Recommended min. flow	55 USGPM
Weight (HS IEC132 version)	145 lbs

Materials

Pump casing/ wear plate	Nihard 4 (HRC 55, HB 555)
Impeller	Nihard 4 (HRC 55, HB 555)
Pump shaft	AISI 431 Alt: AISI 316
Pump support	Fe 360
Bolts	AISI 316
Seal lubrication	Oil
Seal pump side	Siliciumcarbide – siliciumcarbide
Seal motor side	Carbon - ceramic
Coating	Two component polyurethane

Installation options

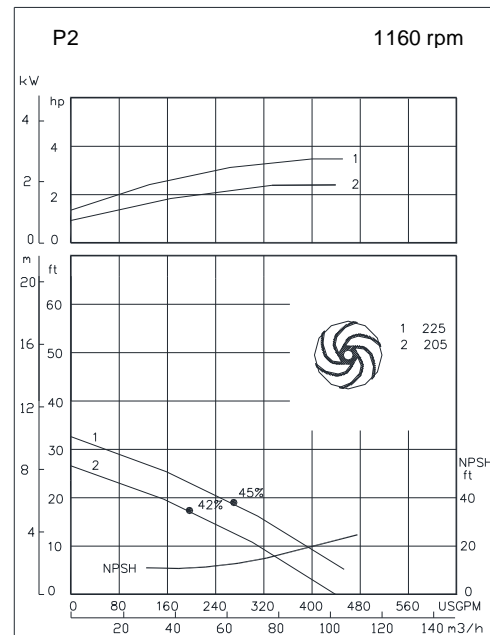
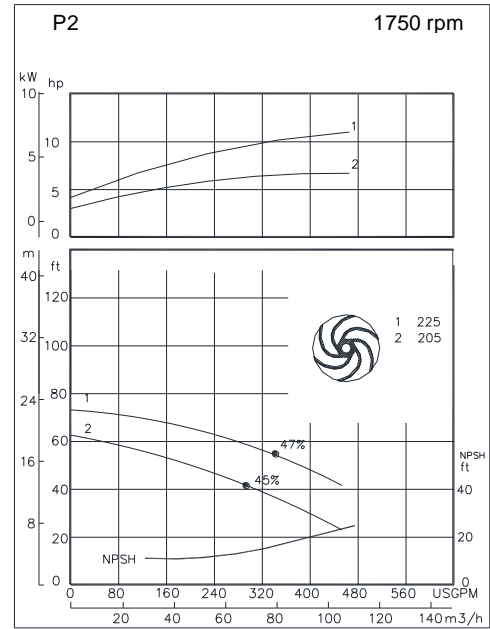
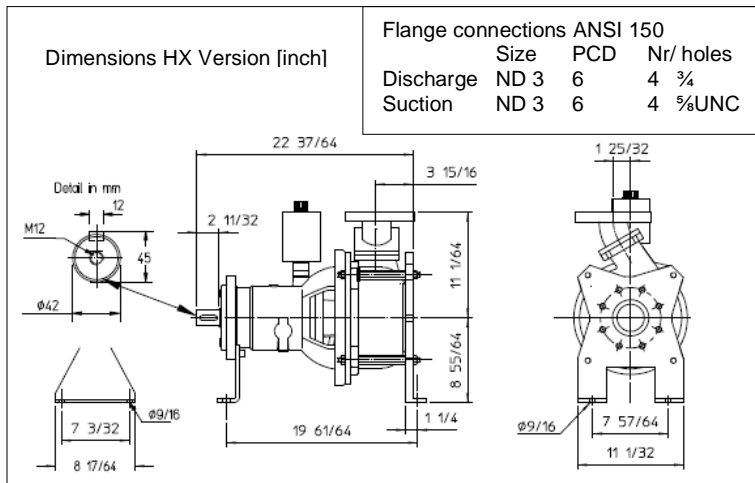
Horizontal bare shaft	HX	with motor and support	HM
Vertical bare shaft	VX	with motor and stand	VM
Horizontal (short coupled)	HS		
Vertical (short coupled)	VS		
V-belt driven	KM		

Available motors 60 c/s (IP55)

IEC Size	HP	rpm
132S	4.62	1160
	8.5	1750
132M	6.17	1160
	8.5	1160
	11.6	1750
	14	1750
160M	17	1750
160L	23	1750

Optional

- Seal flushing



4.4 USGPM	1 m³/h
1ft	0.3 m
1HP	0.746 kW
1lb	0.45 kg

Pump type:	Dry installed Slurry pump
Application:	Abrasive Media
Solids passage	3"
Discharge diameter	4"
Suction diameter	4"
Impeller type:	Vortex
Impeller code	230/ 190
Recommended min. flow	95 USGPM
Weight (HX version)	244 lbs

Materials

Pump casing/ wear plate	Nihard 4 (HRC 55, HB 555)
Impeller	Nihard 4 (HRC 55, HB 555)
Pump shaft	AISI 431 Alt: AISI 316
Pump support	Fe 360
Bolts	AISI 316
Seal lubrication	Oil
Seal pump side	Siliciumcarbide – siliciumcarbide
Seal motor side	Carbon - ceramic
Coating	Two component polyurethane

Installation options

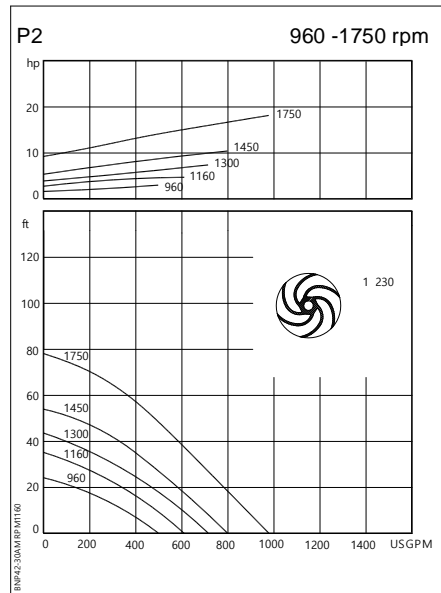
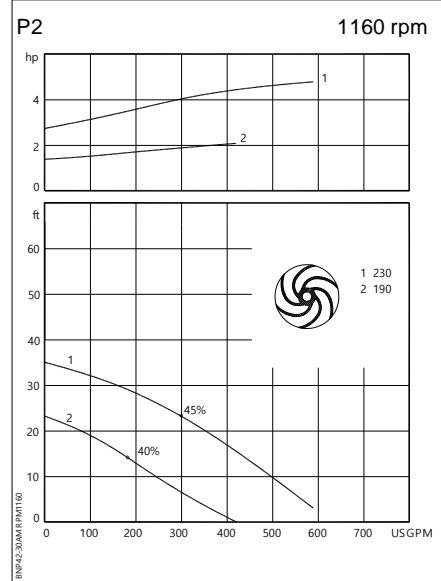
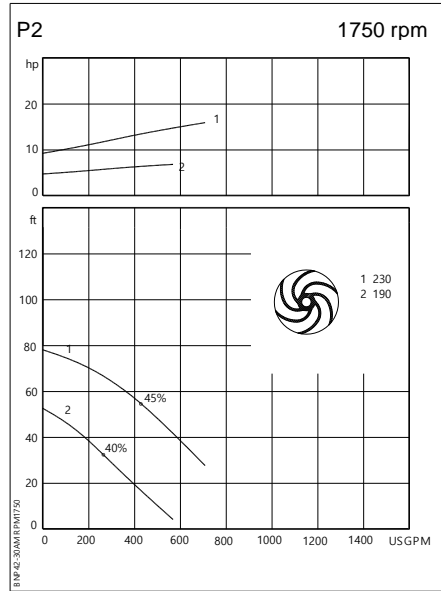
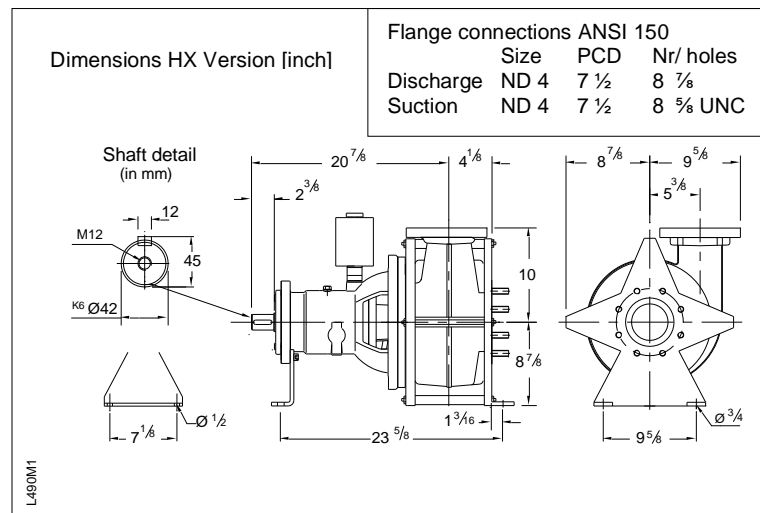
Horizontal bare shaft	HX	with motor and support	HM
Vertical bare shaft	VX	with motor and stand	VM
Horizontal (short coupled)	HS		
Vertical (short coupled)	VS		
V-belt driven	KM		

Available motors 60 c/s (IP55)

IEC Size	HP	rpm	15.9 USGPM	1 l/s
132S	4.62	1160	1ft	0.3 m
	8.5	1750	1HP	0.746 kW
132M	6.17	1160	1lb	0.45 kg
	8.5	1160		
	11.6	1750		
	14	1750		
160M	17	1750		
160L	23	1750		

Optional

- Seal flushing



Pump type:	Dry installed Slurry pump
Application:	Abrasive Media
Solids passage	4"
Discharge diameter	4"
Suction diameter	4"
Impeller type:	Vortex
Impeller code	245
Recommended min. flow	95 USGPM
Weight (HX version)	255 lbs

Materials

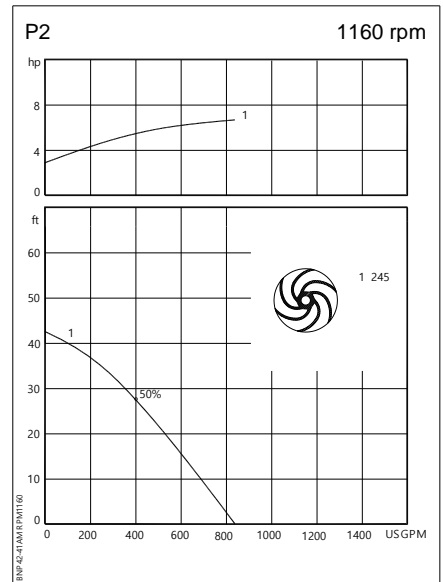
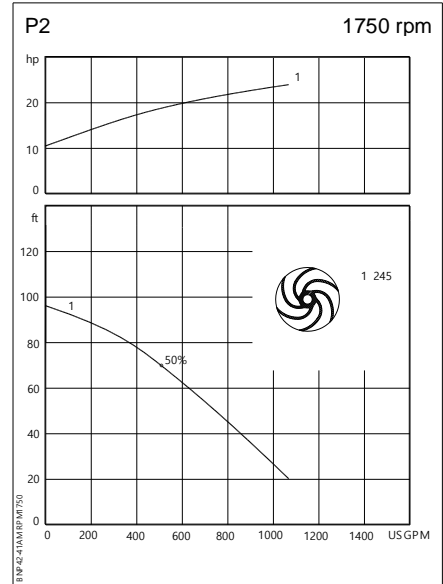
Pump casing/ wear plate	Nihard 4 (HRC 55, HB 555)
Impeller	Nihard 4 (HRC 55, HB 555)
Pump shaft	AISI 431
	Alt: AISI 316
Pump support	Fe 360
Bolts	AISI 316
Seal lubrication	Oil
Seal pump side	Siliciumcarbide – siliciumcarbide
Seal motor side	Carbon - ceramic
Coating	Two component polyurethane

Installation options

Horizontal bare shaft	HX	with motor and support	HM
Vertical bare shaft	VX	with motor and stand	VM
Horizontal (short coupled)	HS		
Vertical (short coupled)	VS		
V-belt driven	KM		

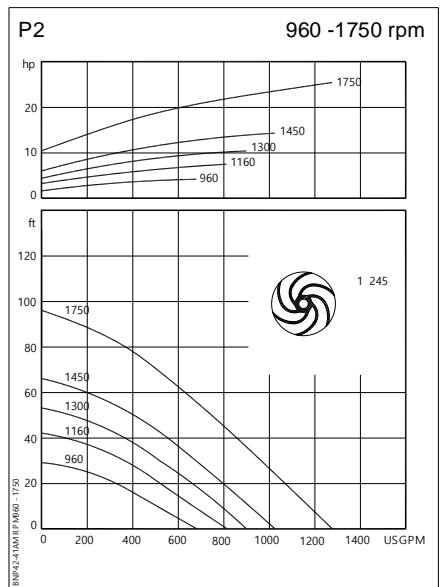
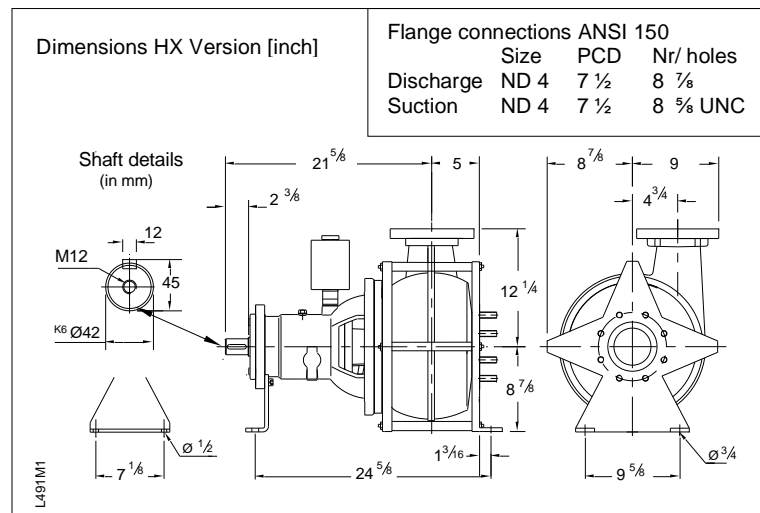
Available motors 60 c/s (IP55)

IEC Size	HP	rpm	15.9 USGPM	1 l/s
132S	4.62	1160	1ft	0.3 m
132M	6.17	1160	1HP	0.746 kW
	8.5	1160	1lb	0.45 kg
	11.6	1750		
	14	1750		
160M	17	1750		
160L	23	1750		
	28	1750		



Optional

- Seal flushing



Pump type:	Dry installed Slurry pump
Application:	Abrasive Media
Solids passage	4"
Discharge diameter	6"
Suction diameter	6"
Impeller type:	Vortex
Impeller codes:	330/ 290/ 242
Recommended min. flow	207 USGPM
Weight (HX version)	355 lbs

Materials

Pump casing/ wear plate	Nihard 4 (HRC 55, HB 555)
Impeller	Nihard 4 (HRC 55, HB 555)
Pump shaft	AISI 431 Alt: AISI 316
Pump support	S235JR
Bolts	AISI 316
Seal lubrication	Oil
Seal pump side	Siliciumcarbide – Siliciumcarbide
Seal motor side	Carbon - Ceramic
Coating	Two component polyurethane

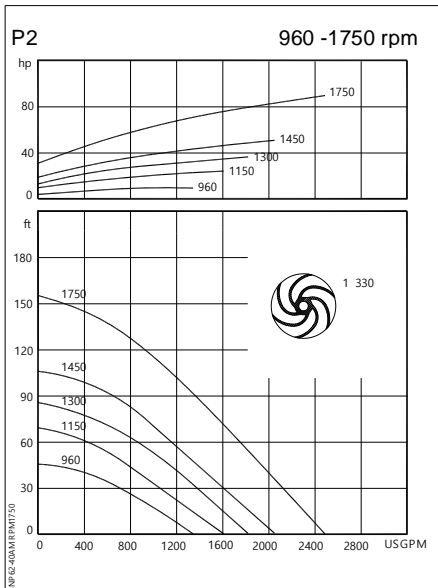
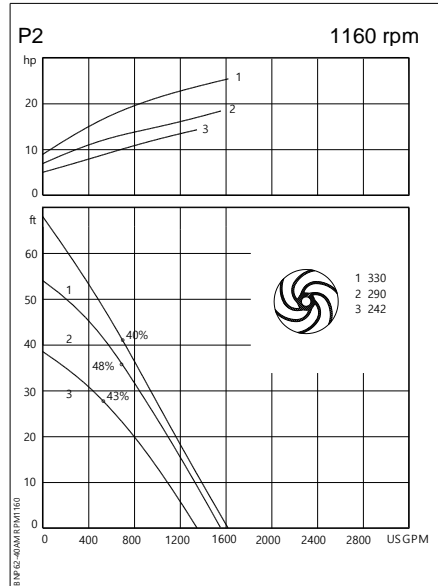
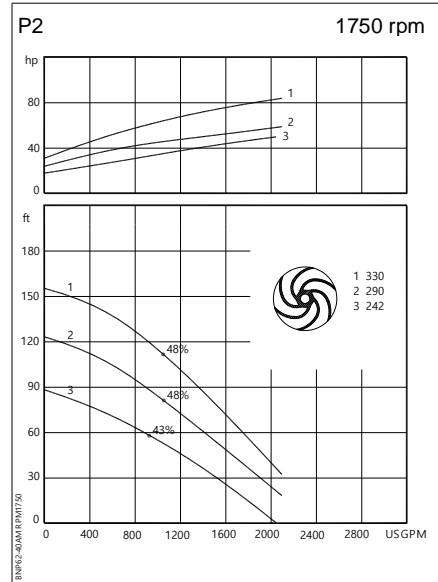
Installation options

Horizontal bare shaft	HX	with motor and support	HM
Vertical bare shaft	VX	with motor and stand	VM
V-belt driven	KM		

Available motors 60 c/s (IP55)

IEC Size	HP	rpm
160L	15	1160
	20	1750
180M	25	1750
180L	20	1160
	30	1750
	40	1750
200L	25	1160
	50	1750
225S	60	1750
225M	60	1750
250M	75	1750

15.9 USGPM 1 l/s
 1ft 0.3 m
 1HP 0.746 kW
 1lb 0.45 kg



Optional

- Seal flushing

