

Pump type: Dry installed Slurry pump

Application: Abrasive Media

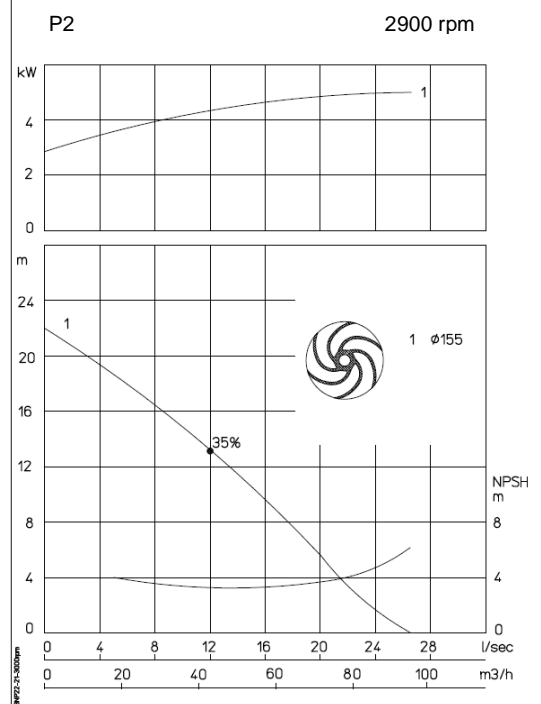
Solids passage 65 mm
 Discharge diameter 80 mm
 Suction diameter 80 mm
 Impeller type: Vortex
 Impeller diameters 155 mm
 Recommended min. flow 3.5 l/sec (13 m³/h)
 Weight (HS version) ±75 kg

Materials

Pump casing/ wear plate Nihard 4 (G-X300CrNiSi 9-5)
 Impeller Nihard 4 (G-X300CrNiSi 9-5)
 Pump shaft AISI 431 (X20 CrNi 17 2)
 Alt: AISI 316 (X5 CrNiMo 17 12 2)
 Pump support Fe 360
 Bolts AISI 316 (X5 CrNiMo 17 12 2)
 Seal lubrication Oil
 Seal pump side Silicon carbide – silicon carbide
 Seal motor side Lip Seal
 Coating Two component polyurethane

Installation options

Horizontal short coupled HS
 Vertical short coupled VS

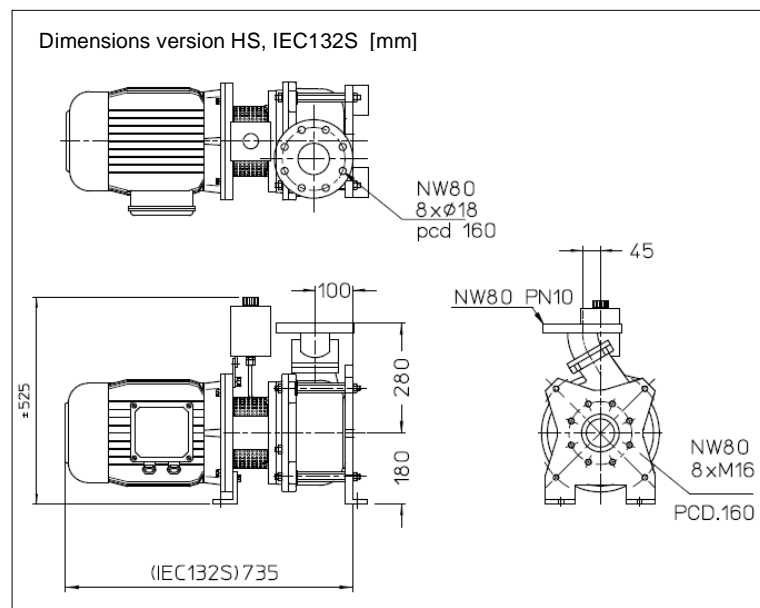


Available motors (IP55)

Size	kW	rpm
IEC 132S	5.5	2900
	7.5	2900

Optional

- Seal flushing



Pump type: Dry installed Slurry pump

Application: Abrasive Media

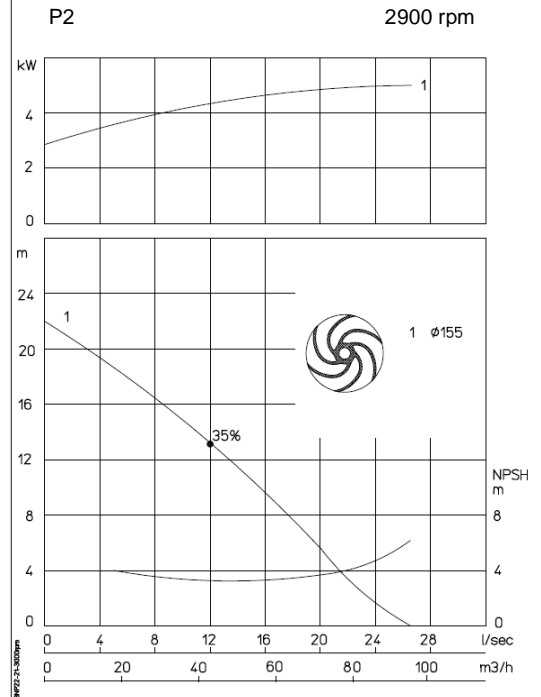
Solids passage	65 mm
Discharge diameter	80 mm
Suction diameter	80 mm
Impeller type:	Vortex
Impeller diameters	155 mm
Recommended min. flow	3.5 l/sec (13 m ³ /h)
Weight (HS version)	±75 kg

Materials

Pump casing/ wear plate	Nihard 4 (G-X300CrNiSi 9-5)
Impeller	Nihard 4 (G-X300CrNiSi 9-5)
Pump shaft	AISI 431 (X20 CrNi 17 2)
	Alt: AISI 316 (X5 CrNiMo 17 12 2)
Pump support	Fe 360
Bolts	AISI 316 (X5 CrNiMo 17 12 2)
Seal lubrication	Oil
Seal pump side	Silicon carbide – silicon carbide
Seal motor side	Lip Seal
Coating	Two component polyurethane

Installation options

Horizontal short coupled	HS
Vertical short coupled	VS

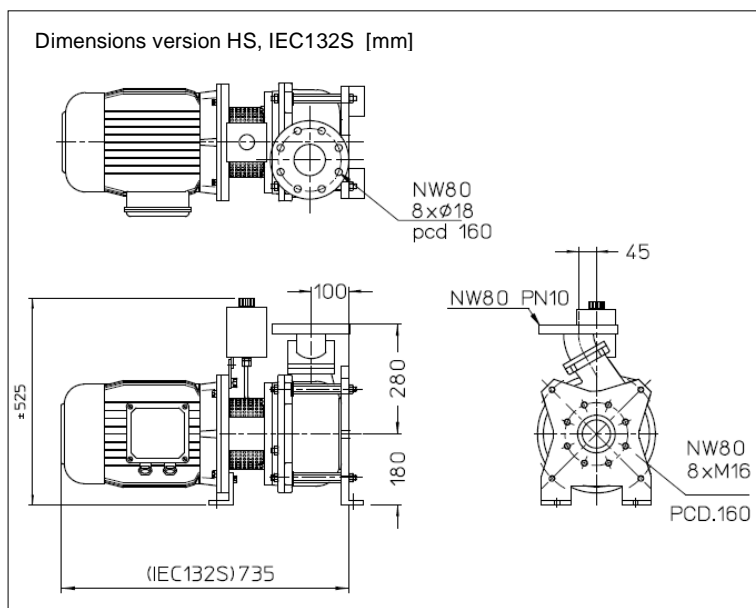


Available motors (IP55)

Size	kW	rpm
IEC 132S	5.5	2900
	7.5	2900
IEC160M	11	2900
	15	2900
IEC160L	18.5	2900

Optional

- Seal flushing



Pump type:	Dry installed Slurry pump
Application:	Abrasive Media
Solids passage	65 mm
Discharge diameter	80 mm
Suction diameter	80 mm
Impeller type:	Vortex
Impeller diameters	225 /205/185/165 mm
Recommended min. flow	3.5 l/sec (13 m3/h)
Weight (HS version)	±75 kg

Materials

Pump casing/ wear plate	Nihard 4 (G-X300CrNiSi 9-5)
Impeller	Nihard 4 (G-X300CrNiSi 9-5)
Pump shaft	AISI 431 (X20 CrNi 17 2) Alt: AISI 316 (X5 CrNiMo 17 12 2) Fe 360
Pump support	AISI 316 (X5 CrNiMo 17 12 2)
Bolts	AISI 316 (X5 CrNiMo 17 12 2)
Seal lubrication	Oil
Seal pump side	Silicon carbide – silicon carbide
Seal motor side	Lip Seal
Coating	Two component polyurethane

Installation options

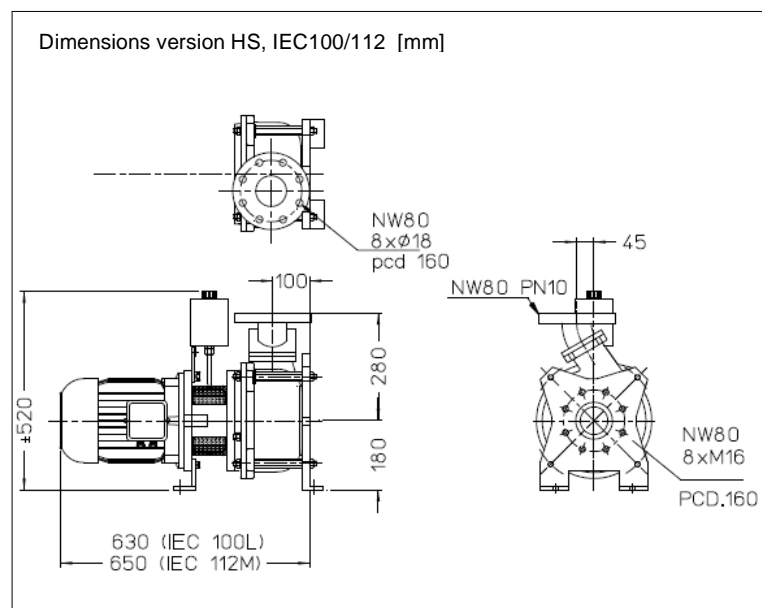
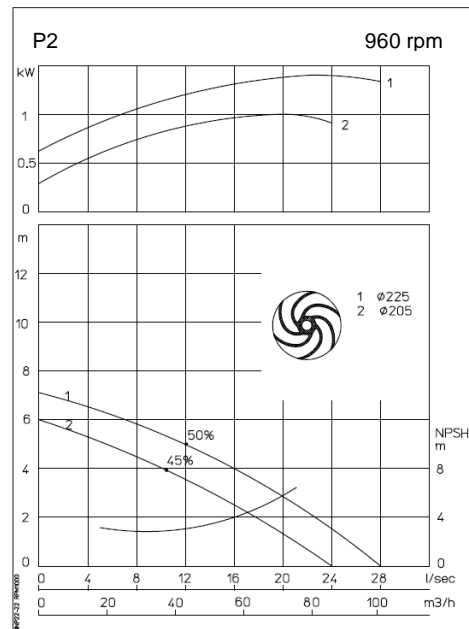
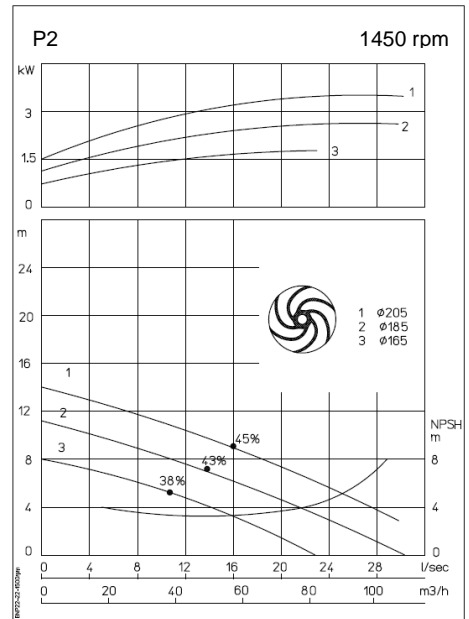
Horizontal short coupled	HS
Vertical short coupled	VS

Available motors (IP55)

Size	kW	rpm
IEC 100L	1.5	960
	2.2	1450
	3.0	1450
IEC 112M	2.2	960
	4.0	1450
IEC 132S	5.5	1450

Optional

- Seal flushing



Pump type: Dry installed Slurry pump

Application: Abrasive Media

Solids passage	65 mm
Discharge diameter	80 mm
Suction diameter	80 mm
Impeller type:	Vortex
Impeller diameter	170 / 155 mm
Recommended min. flow	3.5 l/sec (13 m ³ /h)
Weight (HX version)	100 kg

Materials

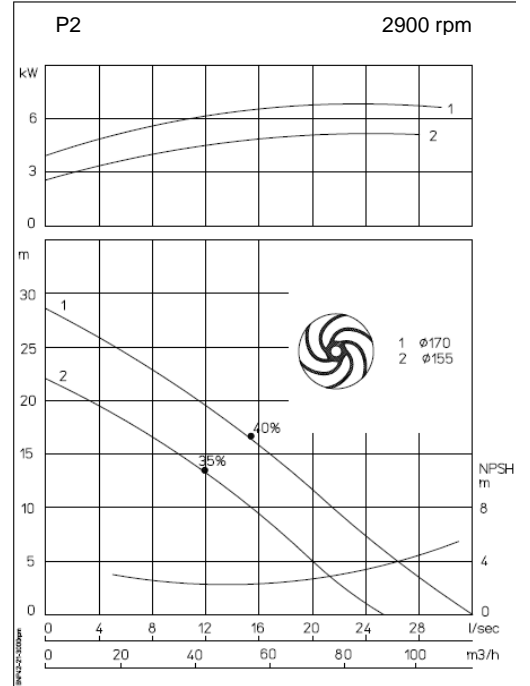
Pump casing/ wear plate	Nihard 4 (G-X300CrNiSi 9-5)
Impeller	Nihard 4 (G-X300CrNiSi 9-5)
Pump shaft	AISI 431 (X20 CrNi 17 2) Alt: AISI 316 (X5 CrNiMo 17 12 2)
Pump support	Fe 360
Bolts	AISI 316 (X5 CrNiMo 17 12 2)
Seal lubrication	Oil
Seal pump side	Silicon carbide – silicon carbide
Seal motor side	Carbon - ceramic
Coating	Two component polyurethane

Installation options

Horizontal bare shaft	HX	with motor and support	HM
Vertical bare shaft	VX	with motor and stand	VM
Horizontal short coupled	HS		
Vertical short coupled	VS		
V-belt driven	KM		

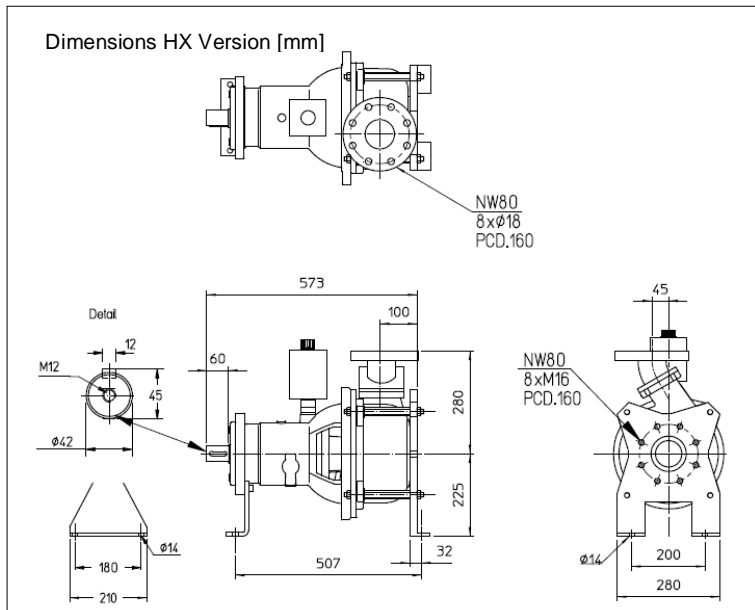
Available motors (IP55)

Size	kW	rpm
IEC 132S	5.5	2900
	7.5	2900
IEC 160M	11	2900
	15	2900



Optional

- Seal flushing



Pump type:	Dry installed Slurry pump
Application:	Abrasive Media
Solids passage	65 mm
Discharge diameter	80 mm
Suction diameter	80 mm
Impeller type:	Vortex
Impeller diameter	225 / 205 mm
Recommended min. flow	3.5 l/sec (13 m3/h)
Weight (HX version)	100 kg

Materials

Pump casing/ wear plate	Nihard 4 (G-X300CrNiSi 9-5)
Impeller	Nihard 4 (G-X300CrNiSi 9-5)
Pump shaft	AISI 431 (X20 CrNi 17 2) Alt: AISI 316 (X5 CrNiMo 17 12 2)
Pump support	Fe 360
Bolts	AISI 316 (X5 CrNiMo 17 12 2)
Seal lubrication	Oil
Seal pump side	Silicon carbide – silicon carbide
Seal motor side	Carbon - ceramic
Coating	Two component polyurethane

Installation options

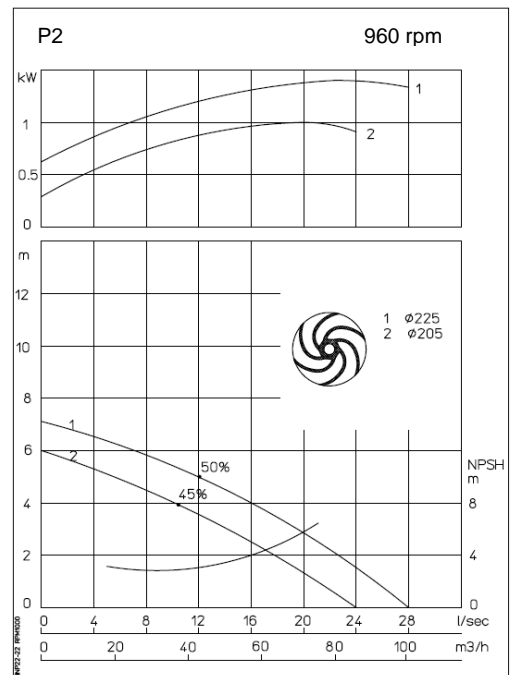
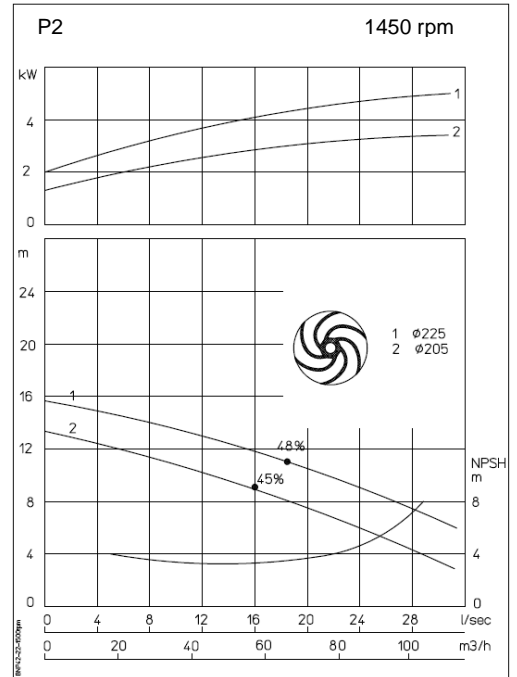
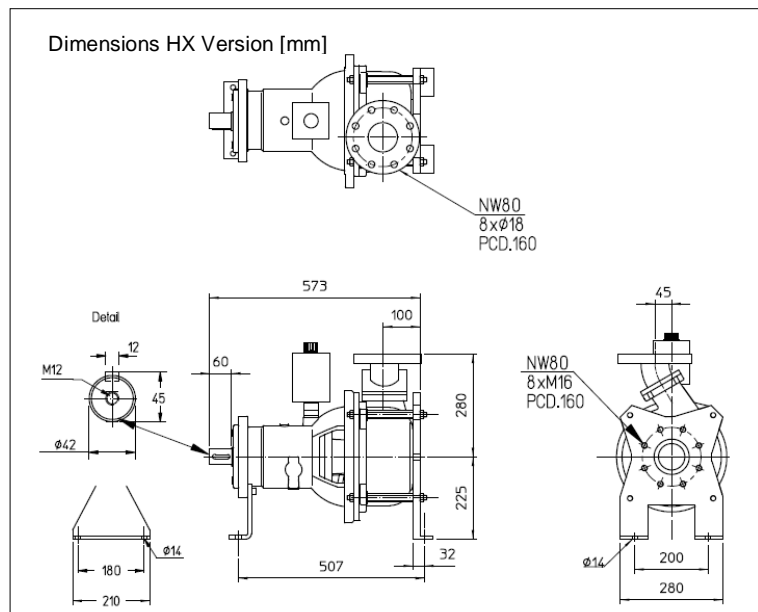
Horizontal bare shaft	HX	with motor and support	HM
Vertical bare shaft	VX	with motor and stand	VM
Horizontal short coupled	HS		
Vertical short coupled	VS		
V-belt driven	KM		

Available motors (IP55)

Size	kW	rpm
IEC 132S	5.5	1450
	3.0	960
IEC 132M	7.5	1450

Optional

- Seal flushing



Pump type:	Dry installed Slurry pump
Application:	Abrasive Media
Solids passage	80 mm
Discharge diameter	100 mm
Suction diameter	100 mm
Impeller type:	Vortex
Impeller diameter	230/ 190 mm
Recommended min. flow	6 l/sec (21 m3/h)
Weight (HX version)	110 kg

Materials

Pump casing/ wear plate	Nihard 4 (G-X300CrNiSi 9-5)
Impeller	Nihard 4 (G-X300CrNiSi 9-5)
Pump shaft	AISI 431 (X20 CrNi 17 2)
	Alt: AISI 316 (X5 CrNiMo 17 12 2)
Pump support	Fe 360
Bolts	AISI 316 (X5 CrNiMo 17 12 2)
Seal lubrication	Oil
Seal pump side	Silicon carbide – silicon carbide
Seal motor side	Carbon - ceramic
Coating	Two component polyurethane

Installation options

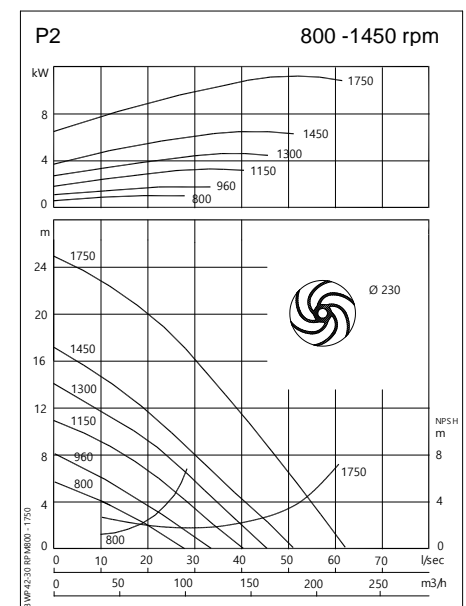
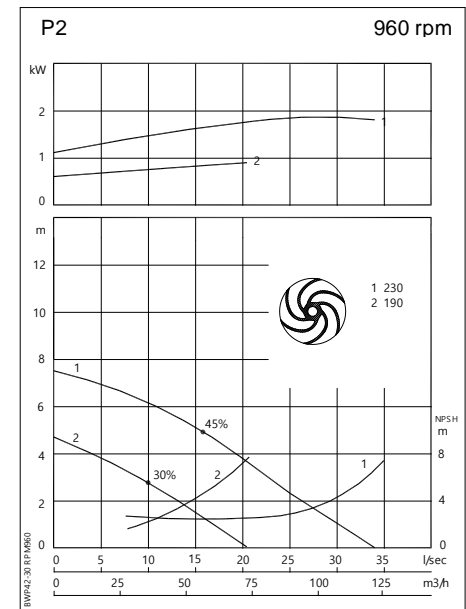
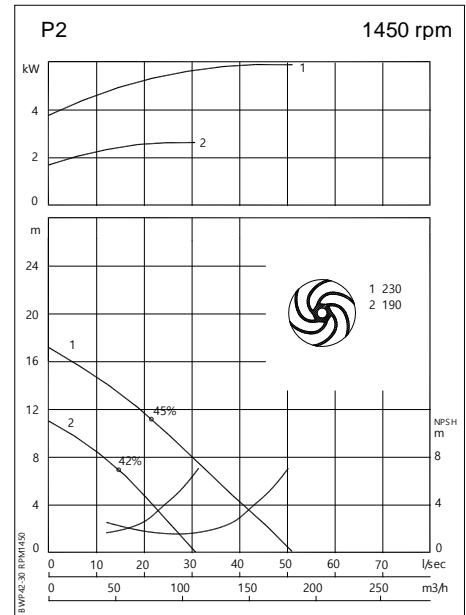
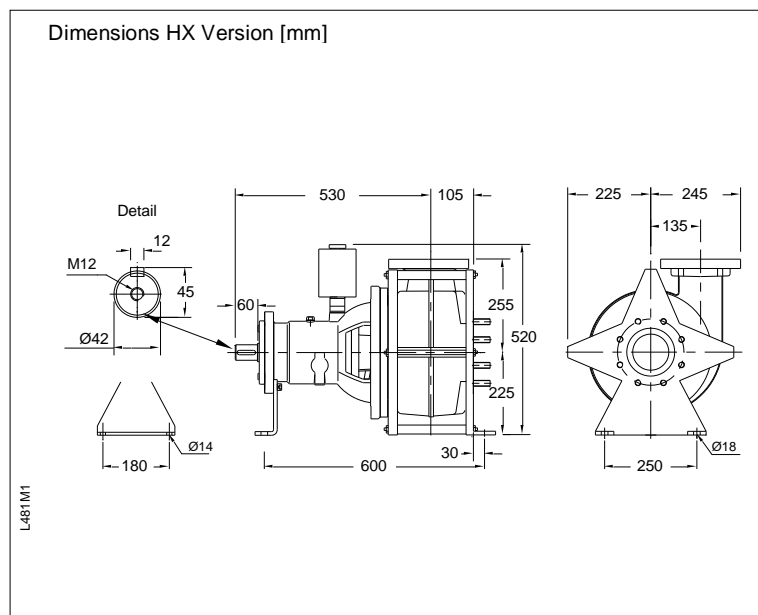
Horizontal bare shaft	HX	with motor and support	HM
Vertical bare shaft	VX	with motor and stand	VM
Horizontal (short coupled)	HS		
Vertical (short coupled)	VS		
V-belt driven	KM		

Available motors (IP55)

Size	kW	rpm
IEC 132S	3.0	960
	5.5	1450
IEC 132M	4.0	960
	5.5	960
	7.5	1450
IEC 160M	11.0	1450
IEC 160L	15.0	1450

Optional

- Seal flushing



Pump type:	Dry installed Slurry pump
Application:	Abrasive Media
Solids passage	100 mm
Discharge diameter	100 mm
Suction diameter	125 mm
Impeller type:	Vortex
Impeller diameter	245 mm
Recommended min. flow	6 l/sec (21 m3/h)
Weight (HX version)	115 kg

Materials

Pump casing/ wear plate	Nihard 4 (G-X300CrNiSi 9-5)
Impeller	Nihard 4 (G-X300CrNiSi 9-5)
Pump shaft	AISI 431 (X20 CrNi 17 2)
	Alt: AISI 316 (X5 CrNiMo 17 12 2)
Pump support	Fe 360
Bolts	AISI 316 (X5 CrNiMo 17 12 2)
Seal lubrication	Oil
Seal pump side	Silicon carbide – silicon carbide
Seal motor side	Carbon - ceramic
Coating	Two component polyurethane

Installation options

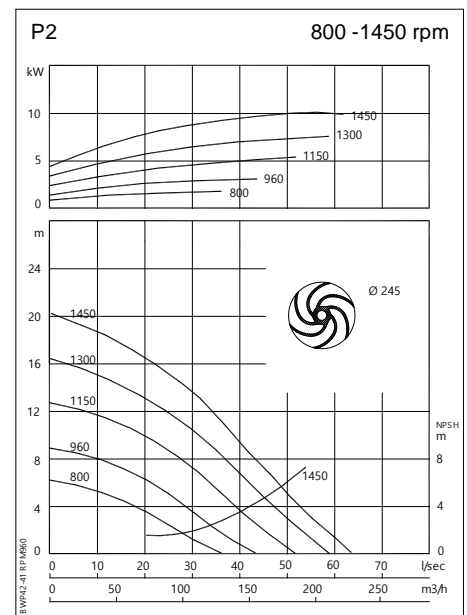
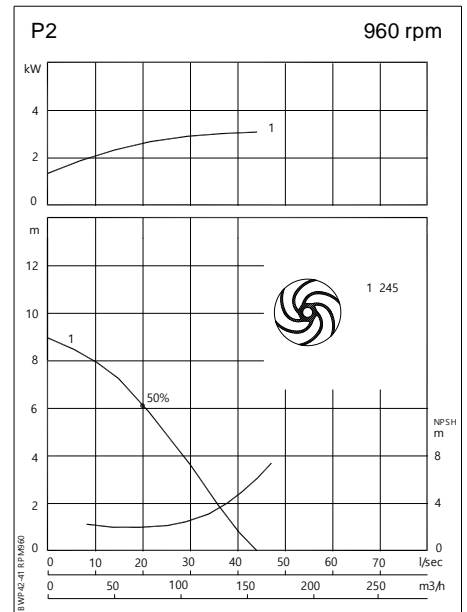
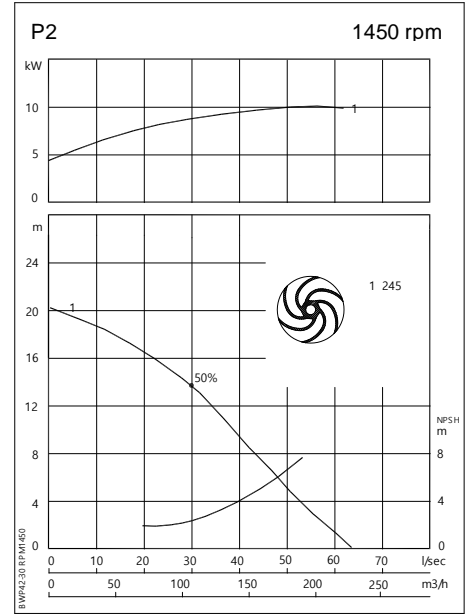
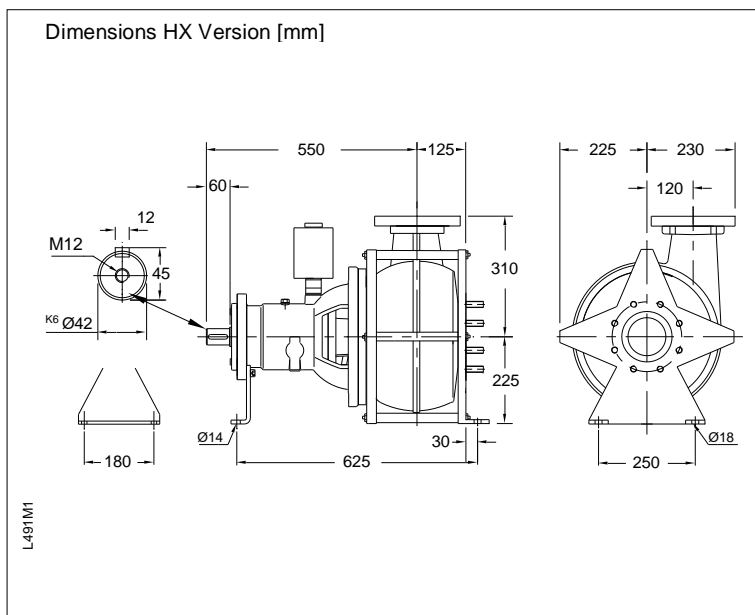
Horizontal bare shaft	HX	with motor and support	HM
Vertical bare shaft	VX	with motor and stand	VM
Horizontal (short coupled)	HS		
Vertical (short coupled)	VS		
V-belt driven	KM		

Available motors (IP55)

Size	kW	rpm
IEC 132S	3.0	960
	5.5	1450
IEC 132M	4.0	960
	5.5	960
	7.5	1450
IEC 160M	11.0	1450
IEC 160L	15.0	1450

Optional

- Seal flushing



Pump type:	Dry installed Slurry pump
Application:	Abrasive Media
Solids passage	100 mm
Discharge diameter	150 mm
Suction diameter	150 mm
Impeller type:	Vortex
Impeller diameter	330/ 290/ 242 mm
Recommended min. flow	13 l/sec (47 m3/h)
Weight (HX version)	160 kg

Materials

Pump casing/ wear plate	Nihard 4 (G-X300CrNiSi 9-5)
Impeller	Nihard 4 (G-X300CrNiSi 9-5)
Pump shaft	AISI 431 (X20 CrNi 17 2) Alt: AISI 316 (X5 CrNiMo 17 12 2) Fe 360
Pump support	Fe 360
Bolts	AISI 316 (X5 CrNiMo 17 12 2)
Seal lubrication	Oil
Seal pump side	Silicon carbide – silicon carbide
Seal motor side	Carbon - ceramic
Coating	Two component polyurethane

Installation options

Horizontal bare shaft	HX	with motor and support	HM
Vertical bare shaft	VX	with motor and stand	VM
V-belt driven	KM		

Available motors (IP55)

Size	kW	rpm
IEC 160M	7.5	960
IEC 160L	11	960
	15	1450
IEC 180M	18.5	1450
IEC 180L	15	960
	22	1450
IEC 200L	30	1450
IEC 225S	37	1450
IEC 225M	45	1450

Optional

- Seal flushing

