

Pump type:	Dry installed Slurry pump
Application:	Abrasive Media
Solids passage	65 mm
Discharge diameter	80 mm
Suction diameter	80 mm
Impeller type:	Vortex
Impeller diameters	205 /165/mm
Recommended min. flow	3.5 l/sec (13 m3/h)
Weight (HS version)	±75 kg

Materials

Pump casing/ wear plate	Nihard 4 (G-X300CrNiSi 9-5)
Impeller	Nihard 4 (G-X300CrNiSi 9-5)
Pump shaft	AISI 431 (X20 CrNi 17 2)
	Alt: AISI 316 (X5 CrNiMo 17 12 2)
Pump support	S235JR
Bolts	AISI 316 (X5 CrNiMo 17 12 2)
Seal lubrication	Oil
Seal pump side	Silicon carbide – silicon carbide
Seal motor side	Lip Seal
Coating	Two component polyurethane

Installation options

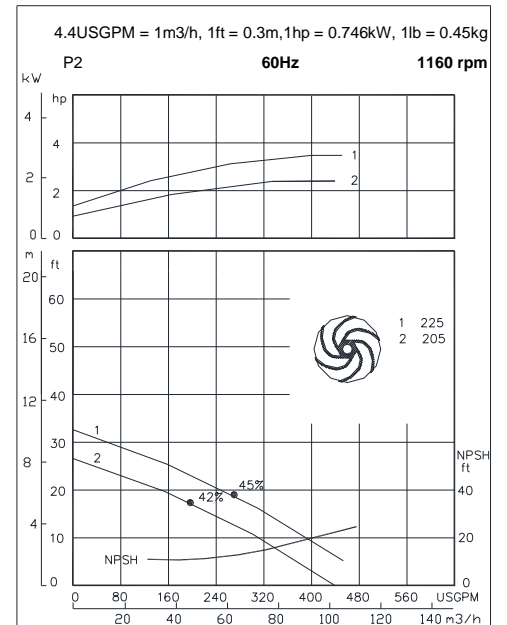
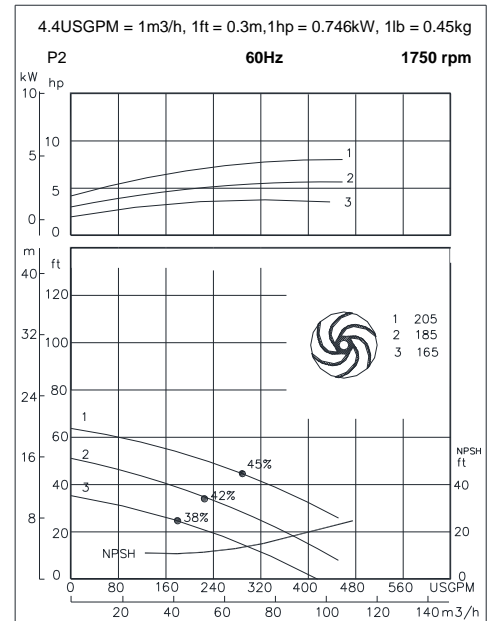
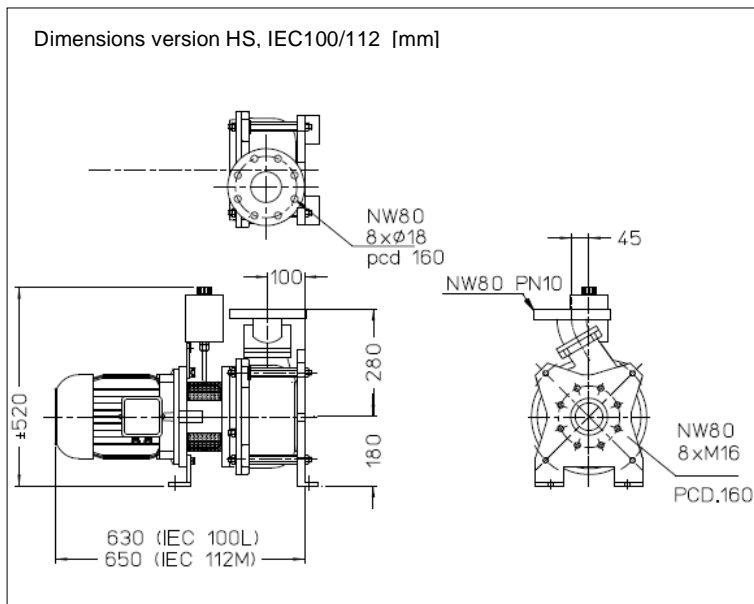
Horizontal short coupled	HS
Vertical short coupled	VS

Available motors (IP55)

Size	kW	rpm
IEC 100L	1.5	1160
	2.2	1750
	3.0	1750
IEC 112M	2.2	1160
	4.0	1750
IEC 132S	5.5	1750
IEC 132M	7.5	1750

Optional

- Seal flushing



Pump type: Dry installed Slurry pump

Application: Abrasive Media

Solids passage 65 mm
 Discharge diameter 80 mm
 Suction diameter 80 mm
 Impeller type: Vortex
 Impeller diameters 170 /155 mm
 Recommended min. flow 3.5 l/sec (13 m³/h)
 Weight (HX version) 100 kg

Materials

Pump casing/ wear plate Nihard 4 (G-X300CrNiSi 9-5)
 Impeller Nihard 4 (G-X300CrNiSi 9-5)
 Pump shaft AISI 431 (X20 CrNi 17 2)
 Alt: AISI 316 (X5 CrNiMo 17 12 2)
 Pump support Fe 360
 Bolts AISI 316 (X5 CrNiMo 17 12 2)
 Seal lubrication Oil
 Seal pump side Silicon carbide – silicon carbide
 Seal motor side Carbon - ceramic
 Coating Two component polyurethane

Installation options

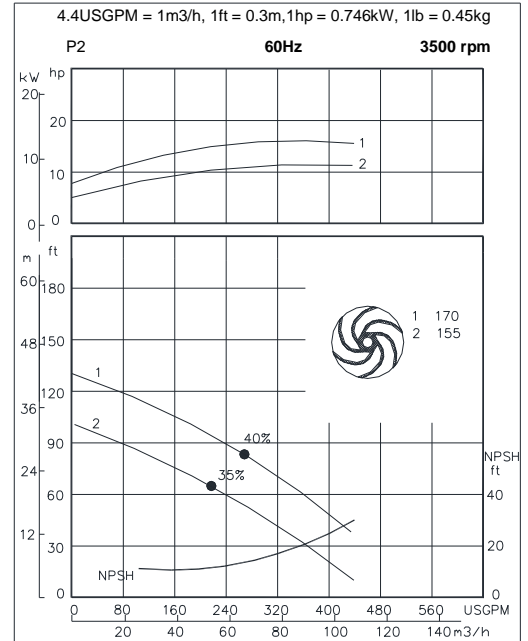
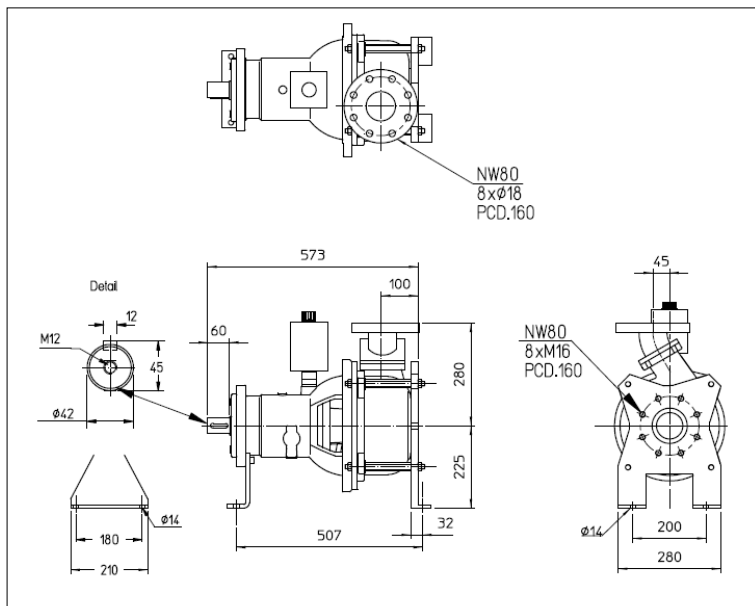
Horizontal bare shaft	HX	with motor and support	HM
Vertical bare shaft	VX	with motor and stand	VM
Horizontal short coupled	HS		
Vertical short coupled	VS		
V-belt driven	KM		

Available motors (IP55)

Size	kW	rpm
IEC 132S	5.5	3500
	7.5	3500
IEC 160M	11	3500
	15	3500

Optional

- Seal flushing



Pump type: Dry installed Slurry pump

Application: Abrasive Media

Solids passage	65 mm
Discharge diameter	80 mm
Suction diameter	80 mm
Impeller type:	Vortex
Impeller diameters	225 /205 mm
Recommended min. flow	3.5 l/sec (13 m ³ /h)
Weight (HX version)	100 kg

Materials

Pump casing/ wear plate	Nihard 4 (G-X300CrNiSi 9-5)
Impeller	Nihard 4 (G-X300CrNiSi 9-5)
Pump shaft	AISI 431 (X20 CrNi 17 2) Alt: AISI 316 (X5 CrNiMo 17 12 2) Fe 360
Pump support	AISI 316 (X5 CrNiMo 17 12 2)
Bolts	AISI 316 (X5 CrNiMo 17 12 2)
Seal lubrication	Oil
Seal pump side	Silicon carbide – silicon carbide
Seal motor side	Carbon - ceramic
Coating	Two component polyurethane

Installation options

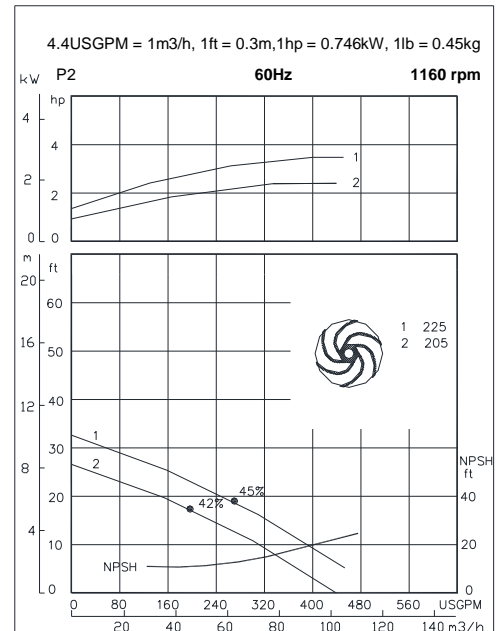
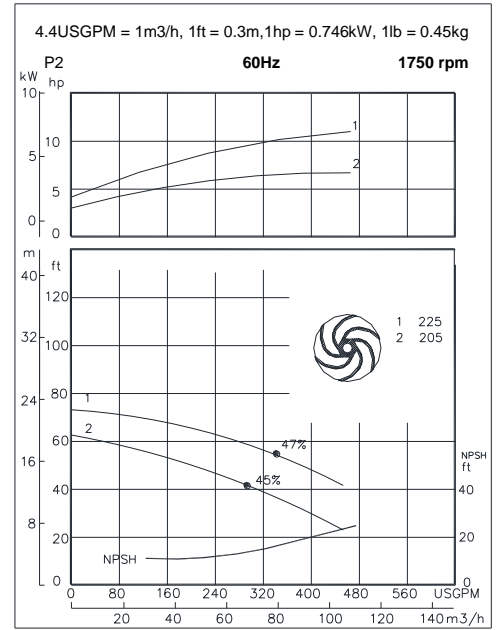
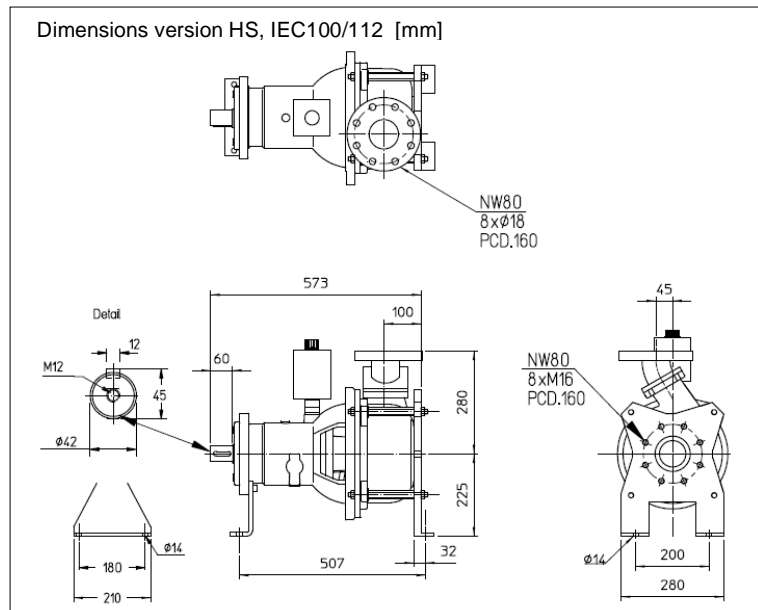
Horizontal bare shaft	HX	with motor and support	HM
Vertical bare shaft	VX	with motor and stand	VM
Horizontal short coupled	HS		
Vertical short coupled	VS		
V-belt driven	KM		

Available motors (IP55)

Size	kW	rpm
IEC 132S	5.5	1750
	3.0	1160
IEC 132M	7.5	1750
	4.0	1160
	5.5	1160
160M	11	1750
160L	15	1750

Optional

- Seal flushing



Pump type:	Dry installed Slurry pump
Application:	Abrasive Media
Solids passage	80 mm
Discharge diameter	100 mm
Suction diameter	100 mm
Impeller type:	Vortex
Impeller diameter	230/ 190 mm
Recommended min. flow	6 l/sec (21 m3/h)
Weight (HX version)	110 kg

Materials

Pump casing/ wear plate	Nihard 4 (G-X300CrNiSi 9-5)
Impeller	Nihard 4 (G-X300CrNiSi 9-5)
Pump shaft	AISI 431 (X20 CrNi 17 2) Alt: AISI 316 (X5 CrNiMo 17 12 2)
Pump support	Fe 360
Bolts	AISI 316 (X5 CrNiMo 17 12 2)
Seal lubrication	Oil
Seal pump side	Silicon carbide – silicon carbide
Seal motor side	Carbon - ceramic
Coating	Two component polyurethane

Installation options

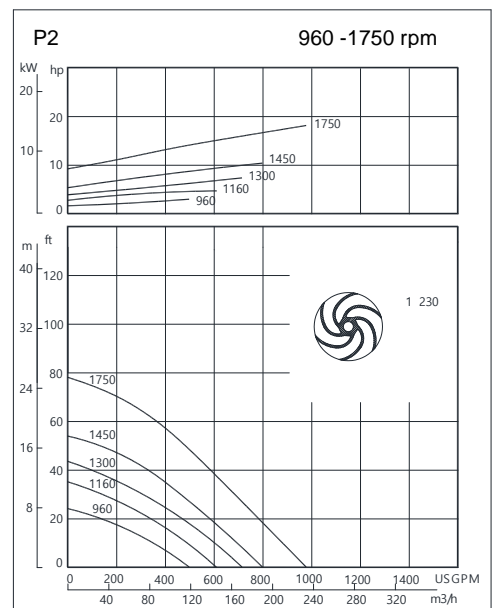
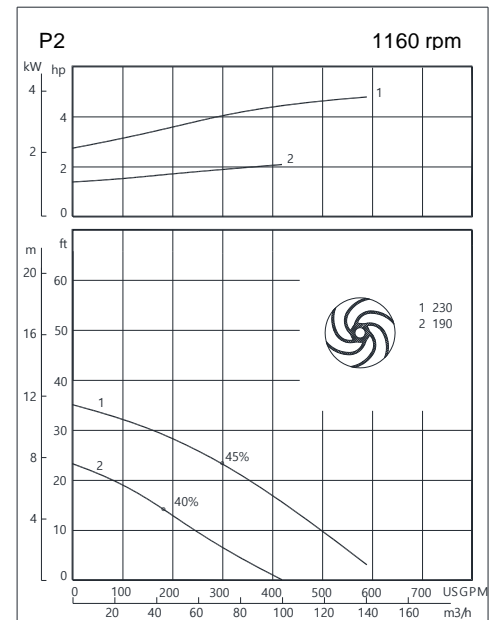
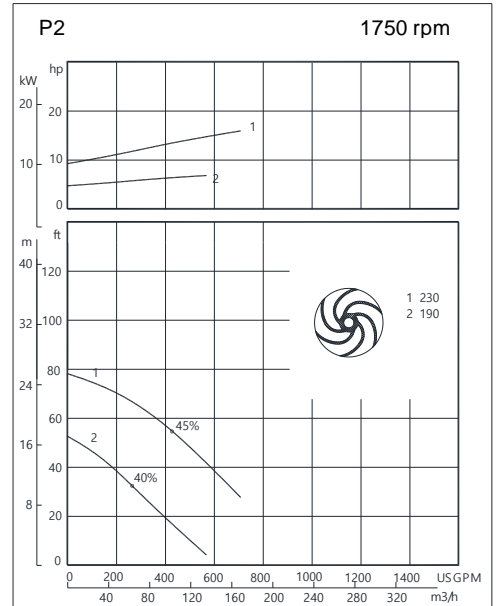
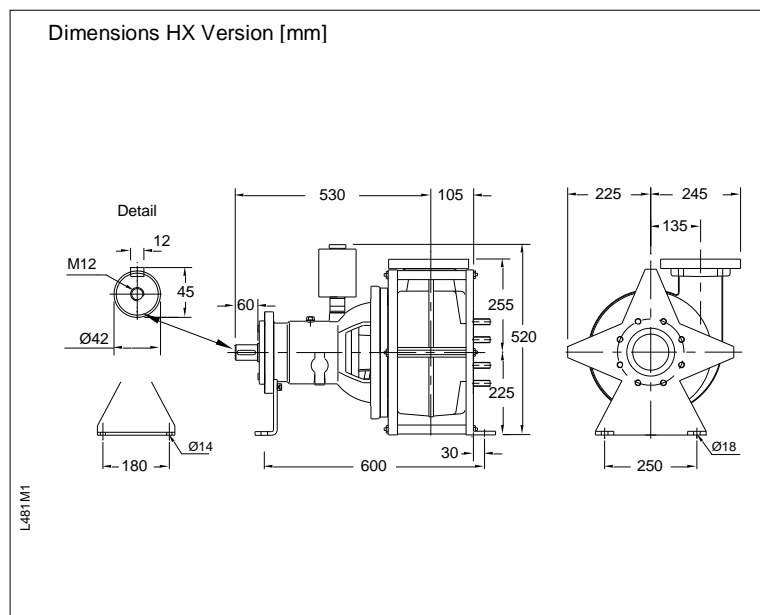
Horizontal bare shaft	HX	with motor and support	HM
Vertical bare shaft	VX	with motor and stand	VM
Horizontal (short coupled)	HS		
Vertical (short coupled)	VS		
V-belt driven	KM		

Available motors (IP55)

Size	kW	rpm
IEC 132S	3.0	1160
	5.5	1750
IEC 132M	4.0	1160
	5.5	1160
	7.5	1750
IEC 160M	11.0	1750
IEC 160L	15.0	1750

Optional

- Seal flushing



Pump type:	Dry installed Slurry pump
Application:	Abrasive Media
Solids passage	100 mm
Discharge diameter	100 mm
Suction diameter	125 mm
Impeller type:	Vortex
Impeller diameter	245 mm
Recommended min. flow	6 l/sec (21 m3/h)
Weight (HX version)	115 kg

Materials

Pump casing/ wear plate	Nihard 4 (G-X300CrNiSi 9-5)
Impeller	Nihard 4 (G-X300CrNiSi 9-5)
Pump shaft	AISI 431 (X20 CrNi 17 2)
	Alt: AISI 316 (X5 CrNiMo 17 12 2)
Pump support	Fe 360
Bolts	AISI 316 (X5 CrNiMo 17 12 2)
Seal lubrication	Oil
Seal pump side	Silicon carbide – silicon carbide
Seal motor side	Carbon - ceramic
Coating	Two component polyurethane

Installation options

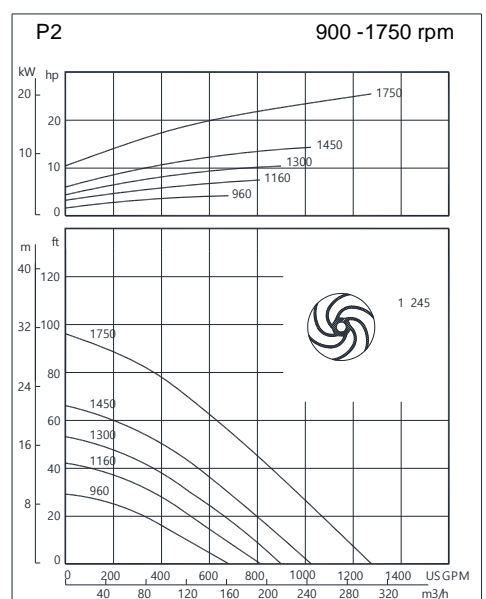
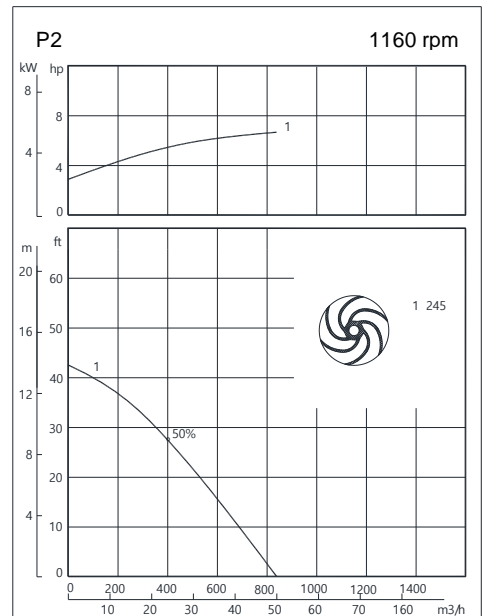
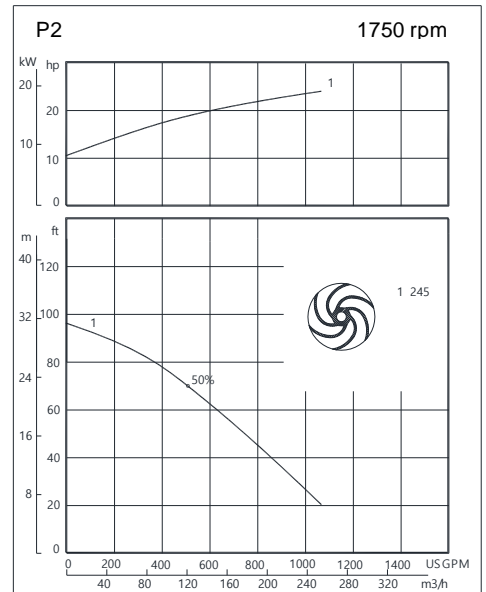
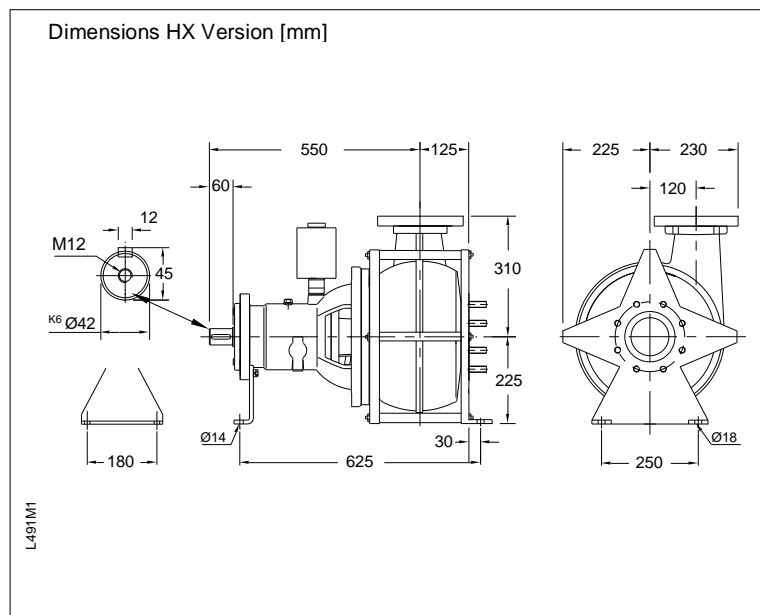
Horizontal bare shaft	HX	with motor and support	HM
Vertical bare shaft	VX	with motor and stand	VM
Horizontal (short coupled)	HS		
Vertical (short coupled)	VS		
V-belt driven	KM		

Available motors (IP55)

Size	kW	rpm
IEC 132S	3.0	1160
	5.5	1750
IEC 132M	4.0	1160
	5.5	1160
	7.5	1750
IEC 160M	11.0	1750
IEC 160L	15.0	1750

Optional

- Seal flushing



Pump type:	Dry installed Slurry pump
Application:	Abrasive Media
Solids passage	100 mm
Discharge diameter	150 mm
Suction diameter	150 mm
Impeller type:	Vortex
Impeller diameter	330/ 290/ 242 mm
Recommended min. flow	13 l/sec (47 m3/h)
Weight (HX version)	160 kg

Materials

Pump casing/ wear plate	Nihard 4 (G-X300CrNiSi 9-5)
Impeller	Nihard 4 (G-X300CrNiSi 9-5)
Pump shaft	AISI 431 (X20 CrNi 17 2)
	Alt: AISI 316 (X5 CrNiMo 17 12 2)
	Fe 360
Pump support	AISI 316 (X5 CrNiMo 17 12 2)
Bolts	AISI 316 (X5 CrNiMo 17 12 2)
Seal lubrication	Oil
Seal pump side	Silicon carbide – silicon carbide
Seal motor side	Carbon - ceramic
Coating	Two component polyurethane

Installation options

Horizontal bare shaft	HX	with motor and support	HM
Vertical bare shaft	VX	with motor and stand	VM
V-belt driven	KM		

Available motors (IP55)

Size	kW	rpm
IEC 160M	7.5	1160
IEC 160L	11	1160
	15	1750
IEC 180M	18.5	1750
IEC 180L	15	1160
	22	1750
IEC 200L	30	1750
IEC 225S	37	1750
IEC 225M	45	1750

Optional

- Seal flushing

