

Pump type:	Dry installed pump
Application:	Waste water, Sewage
Solids passage	100 mm
Discharge	NW100, PN10
Suction	NW125, PN10
Impeller type:	Closed screw impeller
Impeller diameter	250 – 155 mm
Recommended min. flow	6 l/sec (21 m3/h)
Weight (HX version)	150 kg

Materials

Pump parts	Cast iron GG 25 (EN-GJL-250)
Impeller	S.g. iron GGG 40 (EN-GJS-400-15)
Pump shaft	AISI 431 (X20 CrNi 17 2)
Pump support	Alt: AISI 316 (X5 CrNiMo 17 12 2)
Bolts	S235JR
Seal lubrication	AISI 316 (X5 CrNiMo 17 12 2)
Seal pump side	Oil
Seal motor side	Silicon carbide – Silicon carbide - FPM
Coating	Carbon – Ceramic - NBR
	Two component polyurethane

Installation options

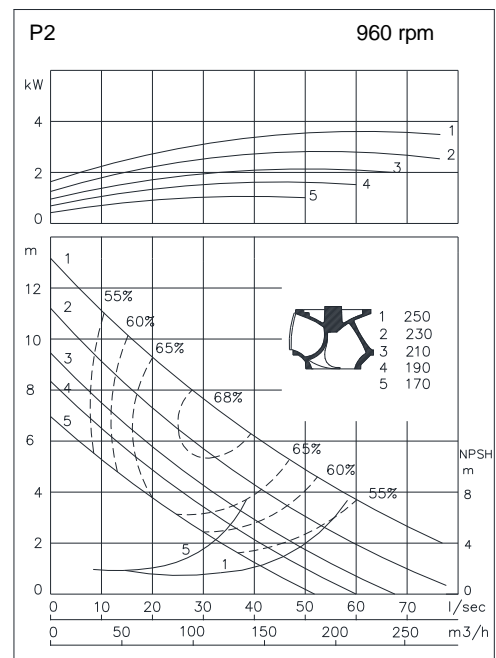
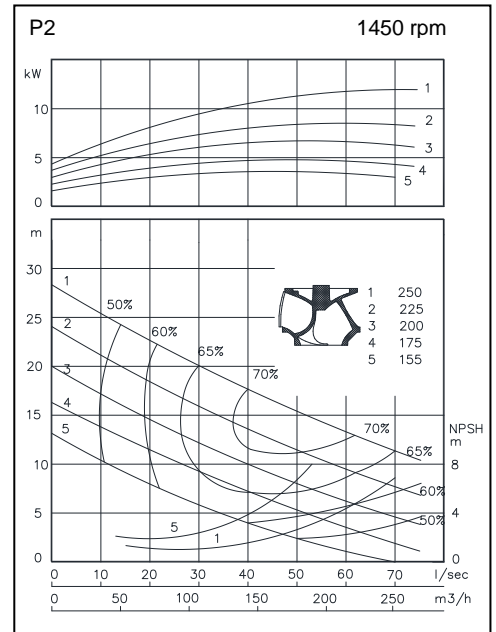
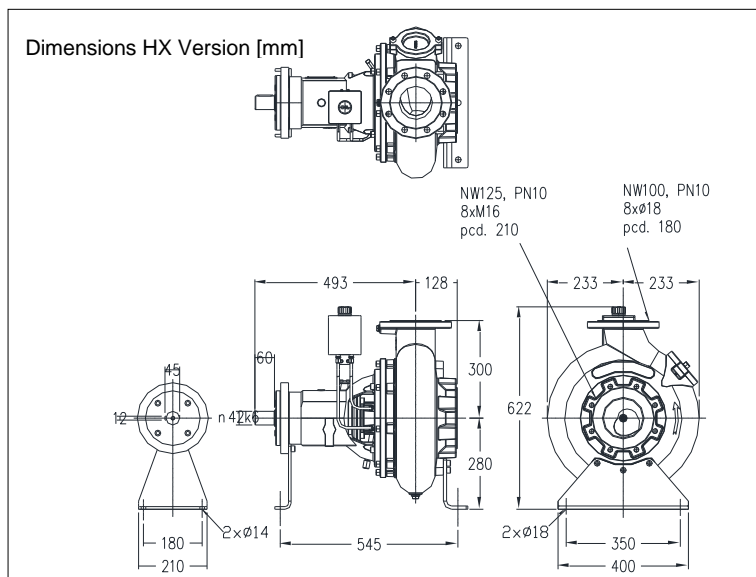
Horizontal bare shaft	HX	with motor and support	HM
Vertical bare shaft	VX	with motor and stand	VM
V-belt driven	KM		

Available motors (IP55)

Size	kW	rpm
IEC 132S	3.0	960
	5.5	1450
IEC132M	4.0	960
	5.5	960
	7.5	1450
IEC 160M	11.0	1450
IEC 160L	15.0	1450

Optional

- Seal flushing



Pump type:	Dry installed pump
Application:	Waste water, Sewage
Solids passage	100 mm
Discharge	NW150, PN10
Suction	NW150, PN10
Impeller type:	Closed screw impeller
Impeller diameter	255 – 185 mm
Recommended min. flow	13 l/sec (47 m3/h)
Weight (HX version)	185 kg

Materials

Pump parts	Cast iron GG 25 (EN-GJL-250)
Impeller	S.g. iron GGG 40 (EN-GJS-400-15)
Pump shaft	AISI 431 (X20 CrNi 17 2)
	Alt: AISI 316 (X5 CrNiMo 17 12 2)
	S235JR
Pump support	AISI 316 (X5 CrNiMo 17 12 2)
Bolts	AISI 316 (X5 CrNiMo 17 12 2)
Seal lubrication	Oil
Seal pump side	Silicon carbide – Silicon carbide - FPM
Seal motor side	Carbon – Ceramic - NBR
Coating	Two component polyurethane

Installation options

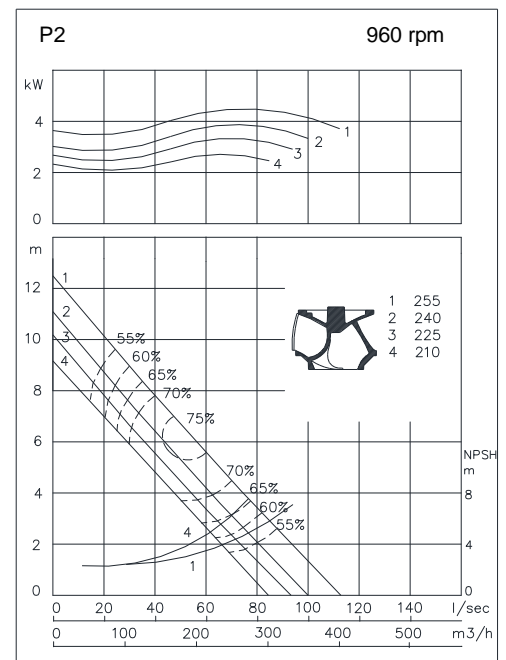
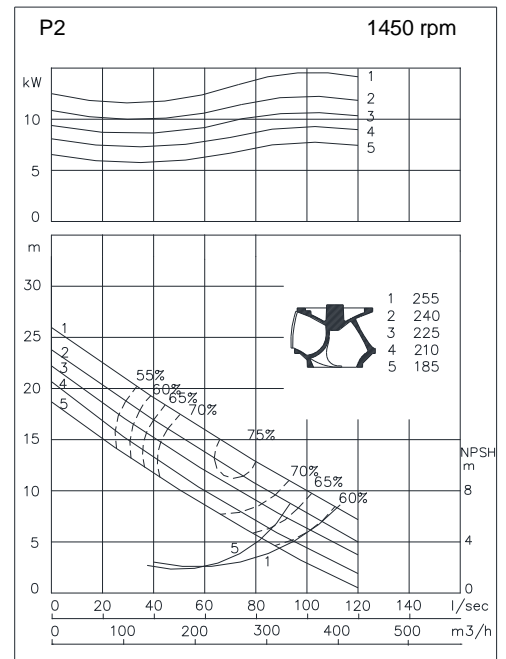
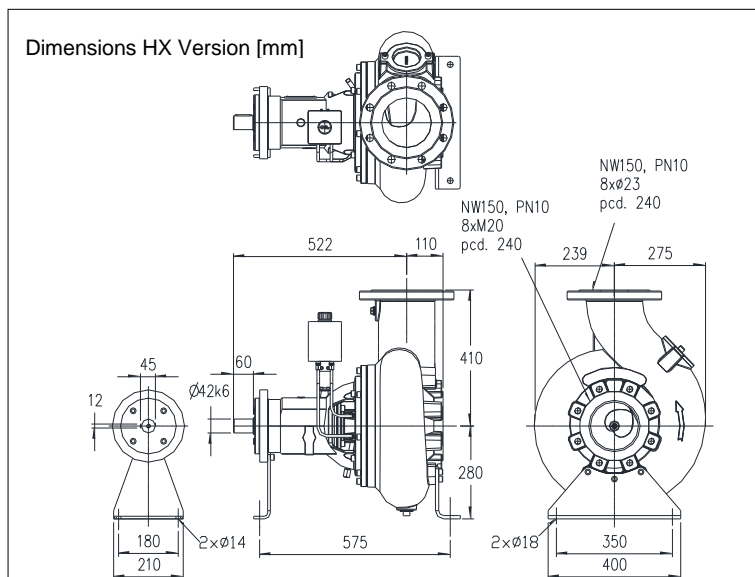
Horizontal bare shaft	HX	with motor and support	HM
Vertical bare shaft	VX	with motor and stand	VM
V-belt driven	KM		

Available motors (IP55)

Size	kW	rpm
IEC 132S	3.0	960
	5.5	1450
IEC132M	4.0	960
	5.5	960
	7.5	1450
IEC 160M	11.0	1450
IEC 160L	15.0	1450
IEC 180M	18.5	1450

Optional

- Seal flushing



Pump type:	Dry installed pump
Application:	Waste water, Sewage
Solids passage	125 mm
Discharge	NW200, PN16 (12xØ23 at Ø295)
Suction	NW200, PN16 (12xM20 at Ø295)
Impeller type:	Closed screw impeller
Impeller diameter	332 – 275 mm
Recommended min. flow	13 l/sec (47 m3/h)
Weight (HX version)	305 kg

Materials

Pump parts	Cast iron GG 25 (EN-GJL-250)
Impeller	S.g. iron GGG 40 (EN-GJS-400-15)
Pump shaft	AISI 431 (X20 CrNi 17 2)
	Alt: AISI 316 (X5 CrNiMo 17 12 2)
Pump support	Fe 360
Bolts	AISI 316 (X5 CrNiMo 17 12 2)
Seal lubrication	Oil
Seal pump side	Silicon carbide – silicon carbide
Seal motor side	Carbon - ceramic
Coating	Two component polyurethane

Installation options

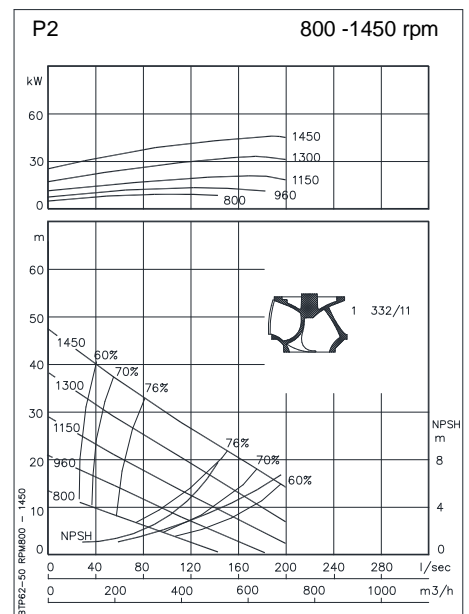
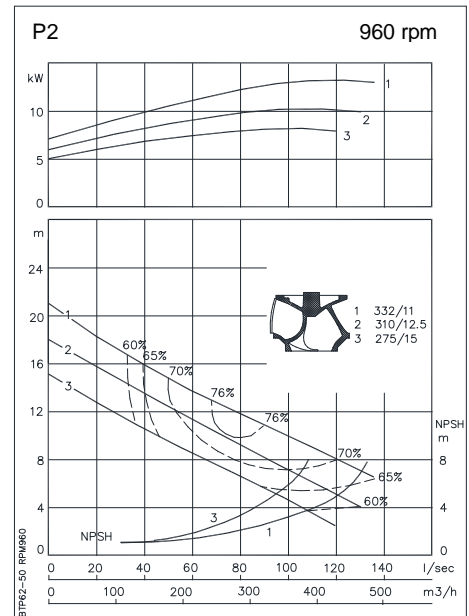
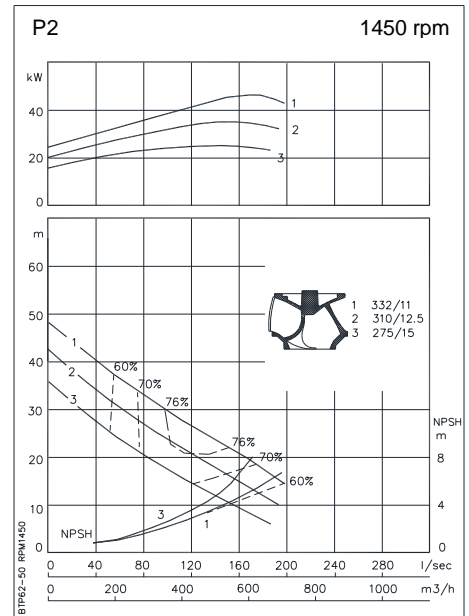
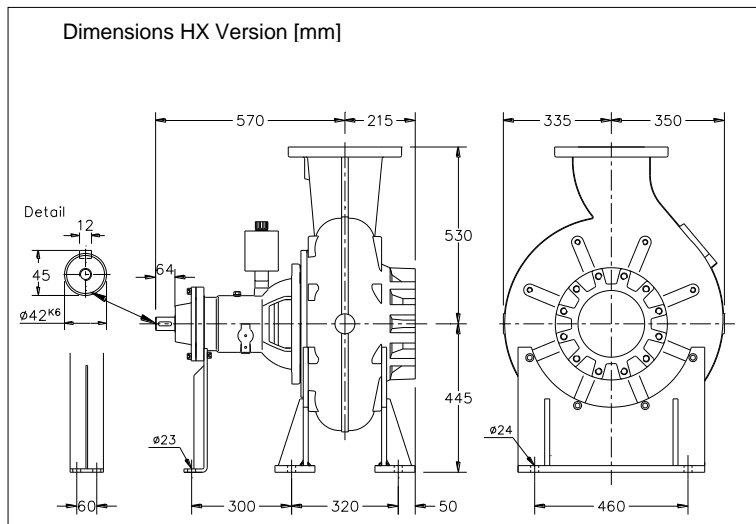
Horizontal bare shaft	HX	with motor and support	HM
Vertical bare shaft	VX	with motor and stand	VM
V-belt driven	KM		

Available motors (IP55)

Size	kW	rpm
IEC 160L	11.0	960
	15.0	1450
IEC 180M	18.5	1450
IEC 180L	15.0	960
	22.0	1450
IEC 200L	18.5	960
	30.0	1450
IEC 225S	37.0	1450
IEC 225M	45.0	1450
IEC 250M	55.0	1450

Optional

- Seal flushing
- Duplex impeller 1.4460



Pump type:	Dry installed pump
Application:	Waste water, Sewage
Solids passage	110 mm
Discharge	NW150, PN16 (8xØ23 at Ø240)
Suction	NW200, PN16 (12xM20 at Ø295)
Impeller type:	Closed screw impeller
Impeller diameter	300 – 210 mm
Recommended min. flow	13 l/sec (47 m ³ /h)
Weight (HX version)	270 kg

Materials

Pump parts	Cast iron GG 25 (EN-GJL-250)
Impeller	S.g. iron GGG 40 (EN-GJS-400-15)
Pump shaft	AISI 431 (X20 CrNi 17 2)
	Alt: AISI 316 (X5 CrNiMo 17 12 2)
Pump support	Fe 360
Bolts	AISI 316 (X5 CrNiMo 17 12 2)
Seal lubrication	Oil
Seal pump side	Silicon carbide – silicon carbide
Seal motor side	Carbon - ceramic
Coating	Two component polyurethane

Installation options

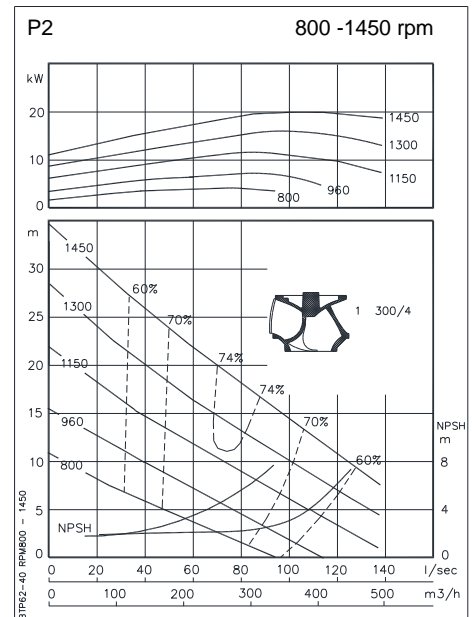
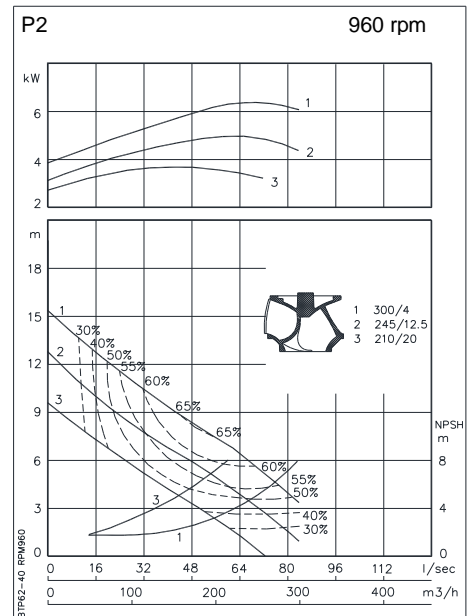
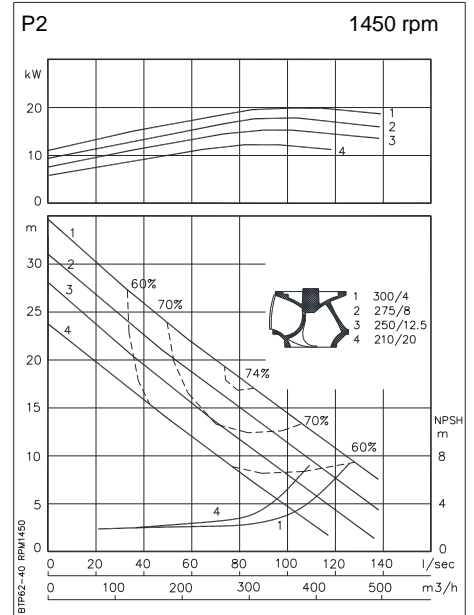
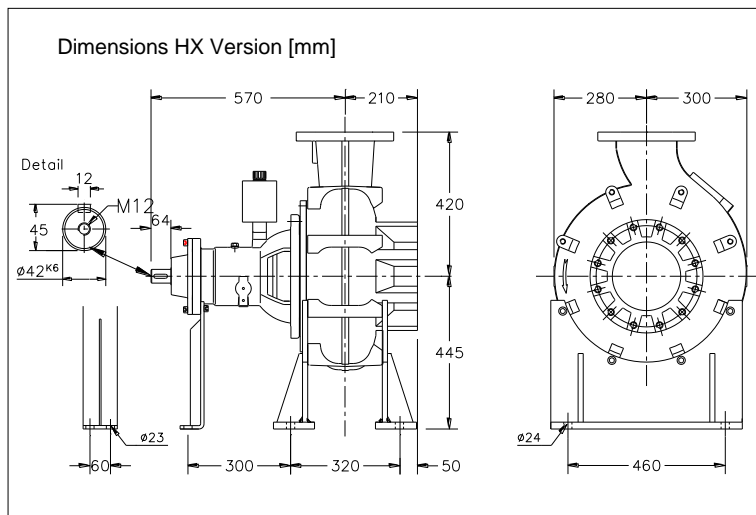
Horizontal bare shaft	HX	with motor and support	HM
Vertical bare shaft	VX	with motor and stand	VM
V-belt driven	KM		

Available motors (IP55)

Size	kW	rpm
IEC132M	4.0	960
	5.5	960
IEC 160M	11.0	1450
IEC 160L	11.0	960
	15.0	1450
IEC 180M	18.5	1450
IEC 180L	15.0	960
	22.0	1450

Optional

- Seal flushing



Pump type:	Dry installed pump
Application:	Waste water, Sewage
Solids passage	110 x 160 mm
Discharge	NW250, PN10
Suction	NW300, PN10
Impeller type:	Closed screw impeller, twin blade
Impeller diameter	460 – 300 mm
Recommended min. flow	37 l/sec (132 m ³ /h)
Weight (HX version)	640 kg

Materials

Pump parts	Cast iron GG 25 (EN-GJL-250)
Impeller	S.g. iron GGG 40 (EN-GJS-400-15)
Pump shaft	AISI 431 (X20 CrNi 17 2) Alt: AISI 316 (X5 CrNiMo 17 12 2) S235JR
Pump support	AISI 316 (X5 CrNiMo 17 12 2)
Bolts	AISI 316 (X5 CrNiMo 17 12 2)
Seal lubrication	Oil
Seal pump side	Silicon carbide – silicon carbide
Seal motor side	Carbon - silicon carbide
Coating	Two component polyurethane

Installation options

Horizontal bare shaft	HX	with motor and support	HM
Vertical bare shaft	VX	with motor and stand	VM
V-belt driven	KM		

Available motors (IP55)

Size	kW	rpm
IEC 225M	22.0	750
IEC 250M	30.0	750
	37.0	960
IEC 280S	37.0	750
	45.0	960
IEC 280M	45.0	750
	55.0	960
IEC 315S	75.0	960
IEC 315M	90.0	960

Optional

- Seal flushing

