

Pump type:	Dry installed Duplex Pump
Application:	Waste water, Seawater
Solids passage	65 mm
Discharge	NW80
Suction	NW80
Impeller type:	Vortex
Impeller diameter	225 – 170 mm
Recommended min. flow	3.5 l/sec (13 m ³ /h)
Weight (HX version-IEC100L)	65 kg

Materials

Pump casing	AISI 329
Seal housing	AISI 329
Impeller	AISI 329
Pump shaft	AISI 316
Pump support	S235JR
Bolts	AISI 316
Seal lubrication	Oil
Seal pump side	Silicon carbide – Silicon carbide - Viton
Seal motor side	Lip Seal
Coating	Two component polyurethane

Installation options

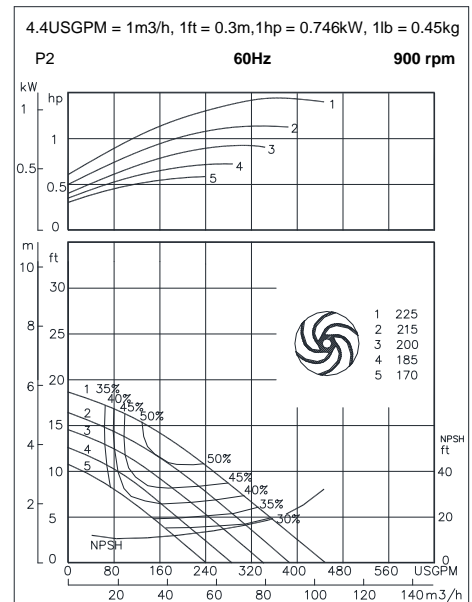
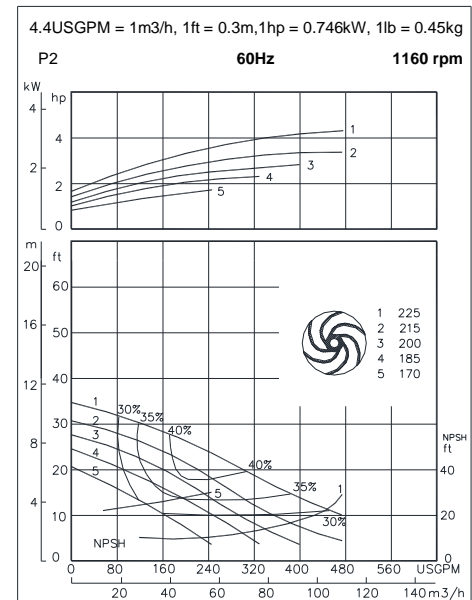
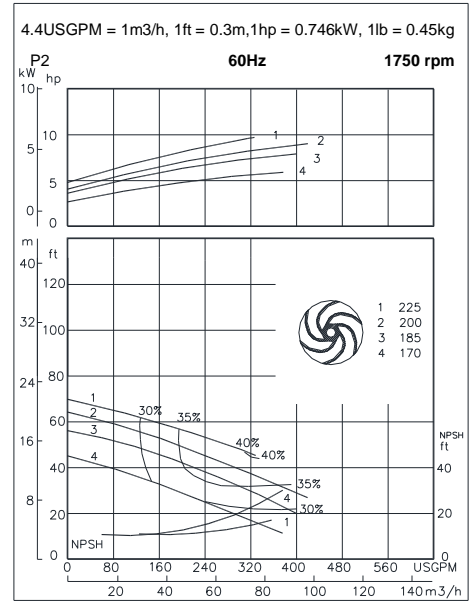
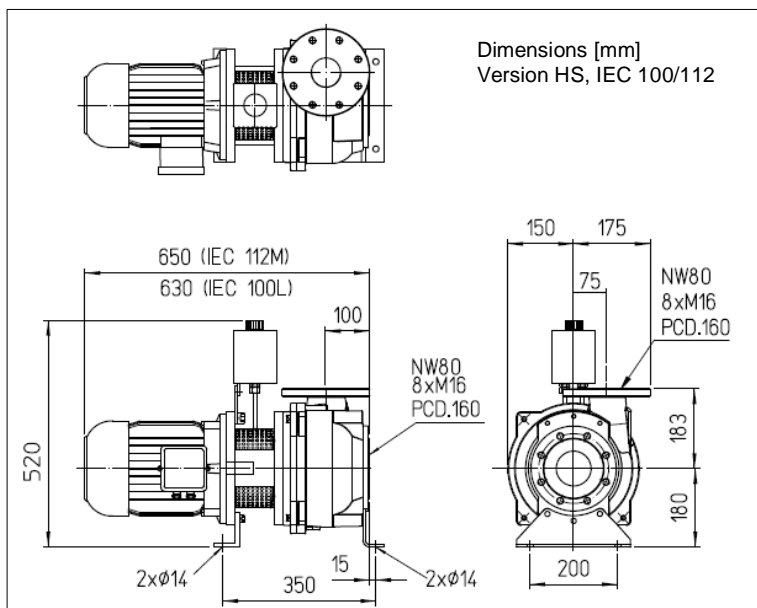
Horizontal short coupled	HS
Vertical short coupled	VS

Available motors (IP55)

Size	kW	rpm
IEC 100L	0.75	900
	1.5	1160
	2.2	1750
	3.0	1750
IEC 112M	2.2	1160
	4.0	1750
IEC 132S	3.0	1160
	5.5	1750
IEC 132M	4.0	1160
	5.5	1160
	7.5	1750

Optional

- Seal flushing



Pump type:	Dry installed vortex pump
Application:	Waste water, Sewage
Solids passage	100 mm
Discharge diameter	100 mm
Suction diameter	125 mm
Impeller type:	Vortex
Impeller diameter	252 – 210 mm
Recommended min. flow	6 l/sec (22 m3/h)
Weight (HS version)	IEC100 95 kg, IEC112 110kg, IEC132 125kg

Materials

Pump parts	Cast iron GG 25 (EN-GJL-250)
Impeller	S.g. iron GGG 40 (EN-GJS-400-15)
Pump shaft	AISI 431 (X20 CrNi 17 2) Alt: AISI 316 (X5 CrNiMo 17 12 2)
Pump support	Fe 360
Bolts	AISI 316 (X5 CrNiMo 17 12 2)
Seal lubrication	Oil
Seal pump side	Silicon carbide – silicon carbide
Seal motor side	Lip Seal
Coating	Two component polyurethane

Installation options

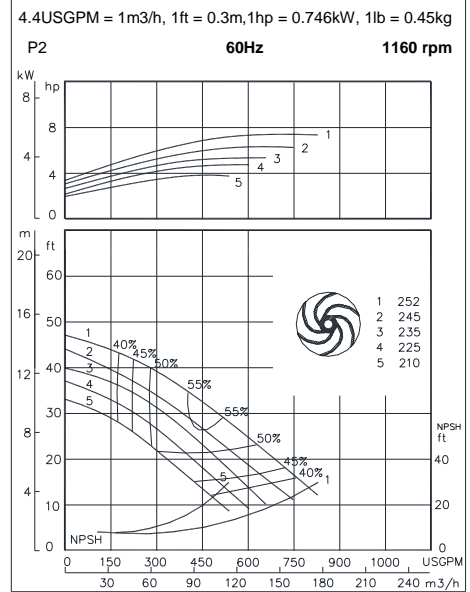
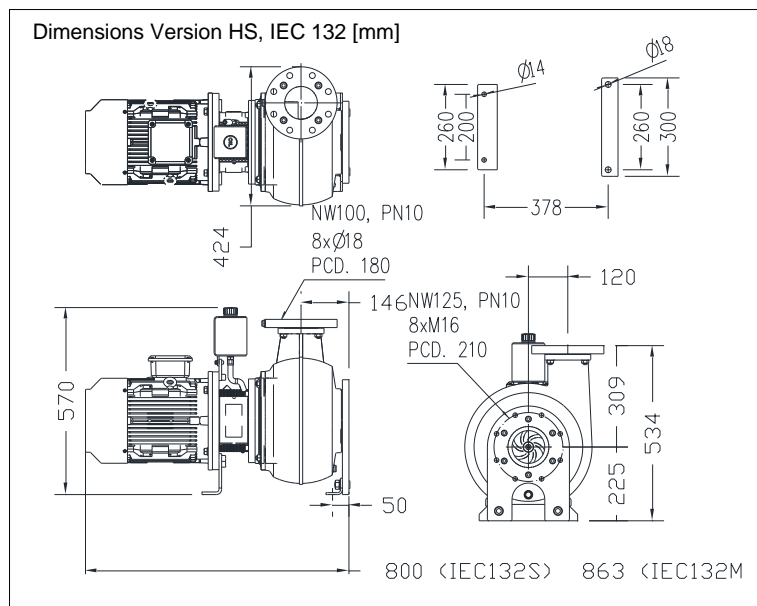
Horizontal short coupled	HS
Vertical short coupled	VS

Available motors (IP55)

Size	kW	rpm
IEC 100L	0.75	900
	1.5	1160
	2.2	1750
	3.0	1750
IEC 112M	2.2	1160
	4.0	1750
IEC 132S	3.0	1160
	5.5	1750
IEC 132M	4.0	1160
	5.5	1160
	7.5	1750

Optional

- Seal flushing



Pump type:	Dry installed Duplex pump
Application:	Waste water, Seawater
Solids passage	100 mm
Discharge	NW100
Suction	NW125
Impeller type:	Vortex
Impeller diameter	252 – 210 mm
Recommended min. flow	6 l/sec (22 m3/h)
Weight (HS version)	IEC100 95 kg, IEC112 110kg, IEC132 125kg

Materials

Pump casing	AISI 329
Seal housing	AISI 329
Impeller	AISI 329
Pump shaft	AISI 316
Bolts	AISI 316
Seal lubrication	Oil
Seal pump side	Silicon carbide – Silicon carbide - Viton
Seal motor side	Lip Seal
Coating	Two component polyurethane

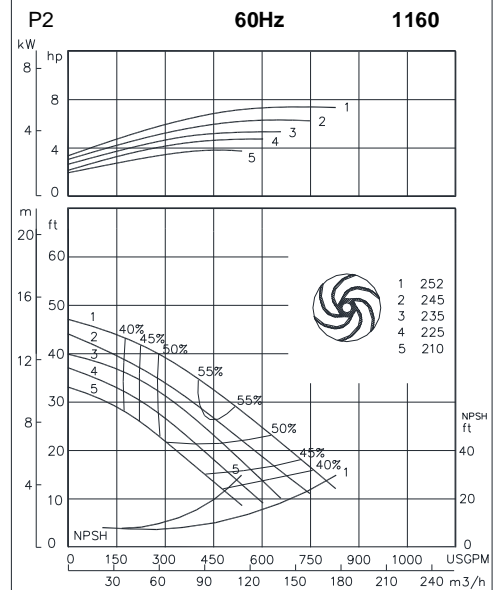
Installation options

Horizontal short coupled	HS
Vertical short coupled	VS

Available motors (IP55)

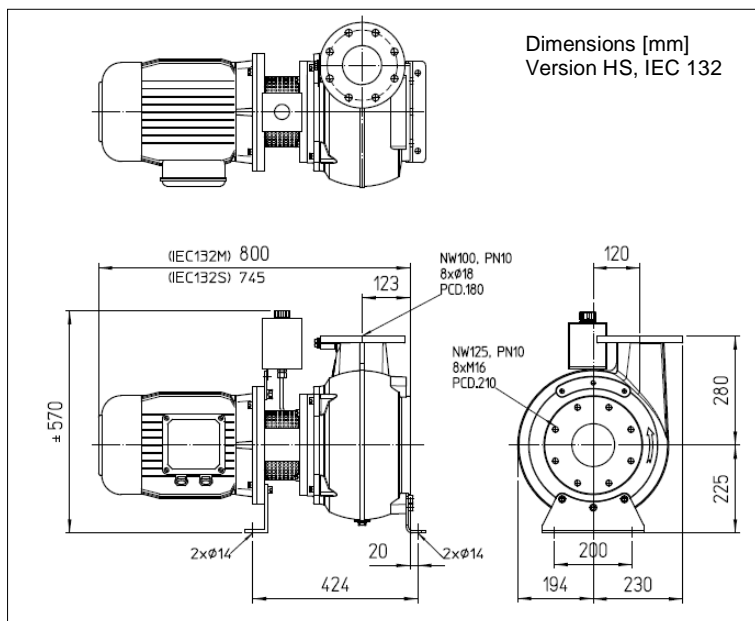
Size	kW	rpm
IEC 100L	1.5	1160
IEC 112M	2.2	1160
IEC 132S	3.0	1160
IEC 132M	4.0	1160
	5.5	1160

4.4USGPM = 1m3/h, 1ft = 0.3m, 1hp = 0.746kW, 1lb = 0.45kg



Optional

- Seal flushing



Pump type:	Dry installed Duplex Pump
Application:	Waste water, Seawater
Solids passage	65 mm
Discharge	NW80
Suction	NW80
Impeller type:	Vortex
Impeller diameter	225 – 170 mm
Recommended min. flow	3.5 l/sec (13 m ³ /h)
Weight (HX version)	95 kg

Materials

Pump casing	AISI 329
Seal housing	AISI 329
Impeller	AISI 329
Pump shaft	AISI 316 (X5 CrNiMo 17 12 2)
Pump support	Fe 360
Bolts	AISI 316 (X5 CrNiMo 17 12 2)
Seal lubrication	Oil
Seal pump side	Silicon carbide – Silicon carbide - Viton
Seal motor side	Carbon - ceramic
Coating	Two component polyurethane

Installation options

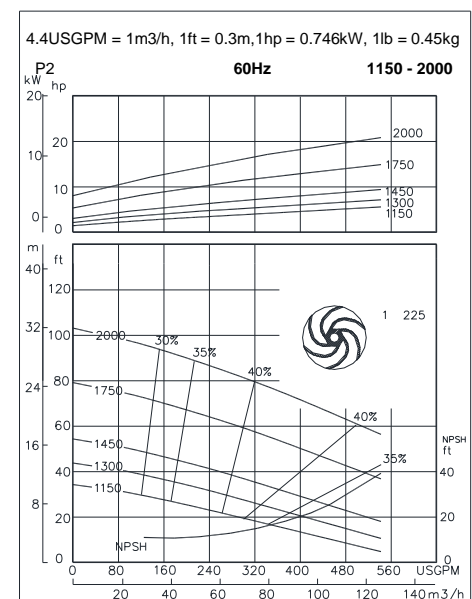
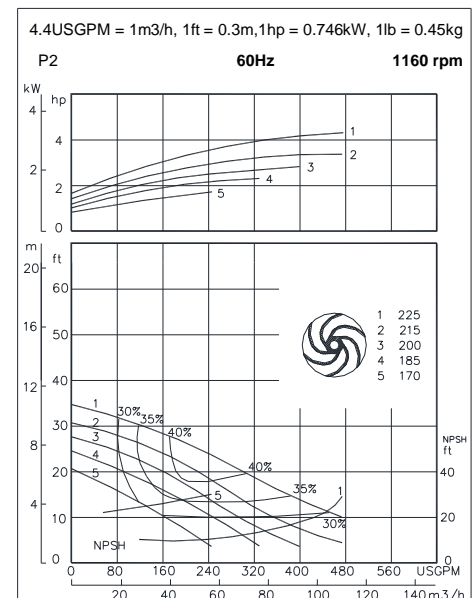
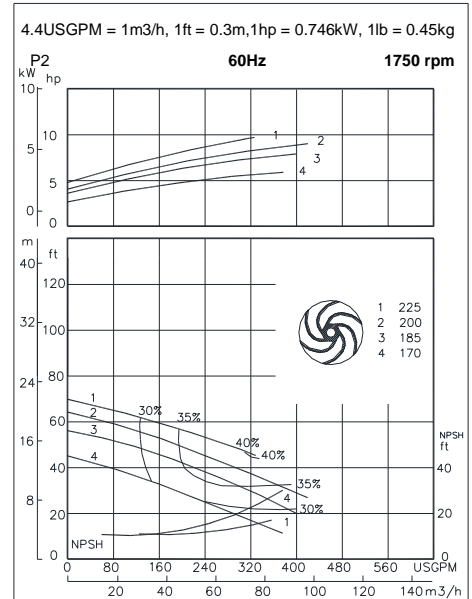
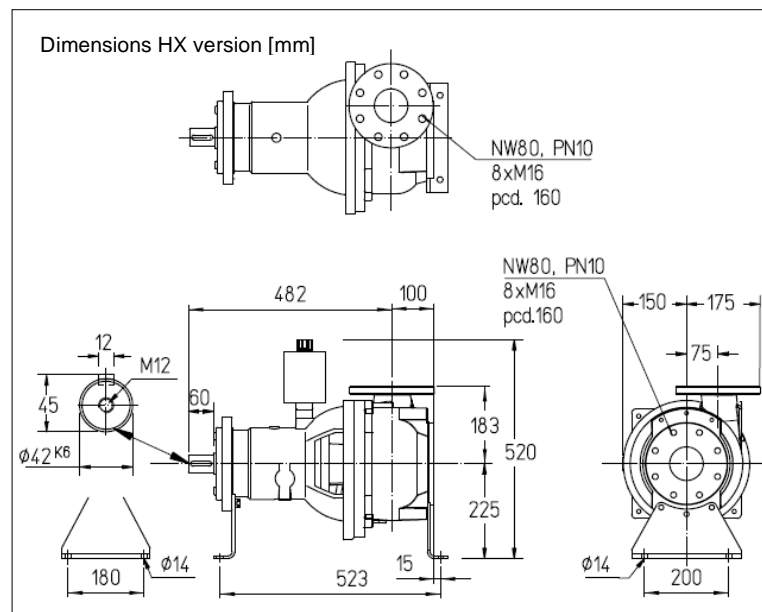
Horizontal bare shaft	HX	with motor and support	HM
Vertical bare shaft	VX	with motor and stand	VM
Horizontal short coupled	HS		
Vertical short coupled	VS		
V-belt driven	KM		

Available motors (IP55)

Size	kW	rpm
IEC 132S	5.5	1750
	3	1160
IEC 132M	7.5	1750
	4	1160
IEC 160M	11	1750

Optional

- Seal flushing



Pump type:	Dry installed Duplex Pump
Application:	Waste water, Seawater
Solids passage	65 mm
Discharge	NW80
Suction	NW80
Impeller type:	Vortex
Impeller diameter	178 – 140 mm
Recommended min. flow	3.5 l/sec (13 m ³ /h)
Weight (HX version)	95 kg

Materials

Pump parts	AISI 329
Seal housing	AISI 329
Impeller	AISI 329
Pump shaft	AISI 316 (X5 CrNiMo 17 12 2)
Pump support	Fe 360
Bolts	AISI 316 (X5 CrNiMo 17 12 2)
Seal lubrication	Oil
Seal pump side	Silicon carbide – silicon carbide - Viton
Seal motor side	Carbon - ceramic
Coating	Two component polyurethane

Installation options

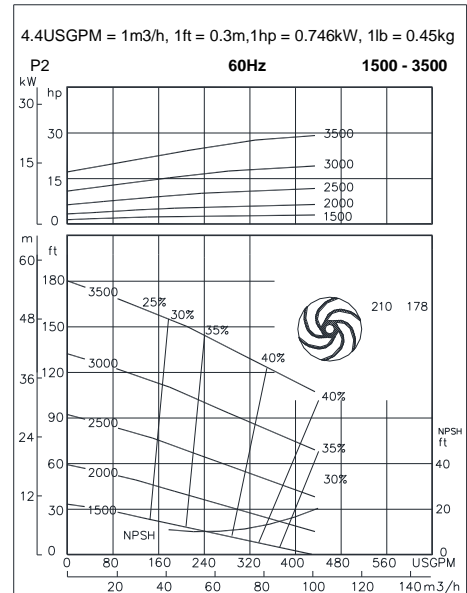
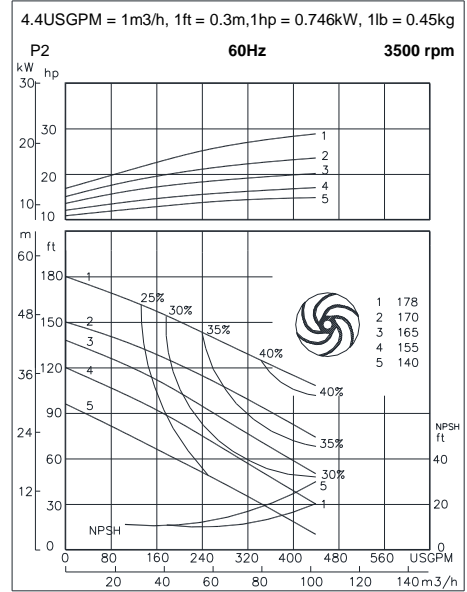
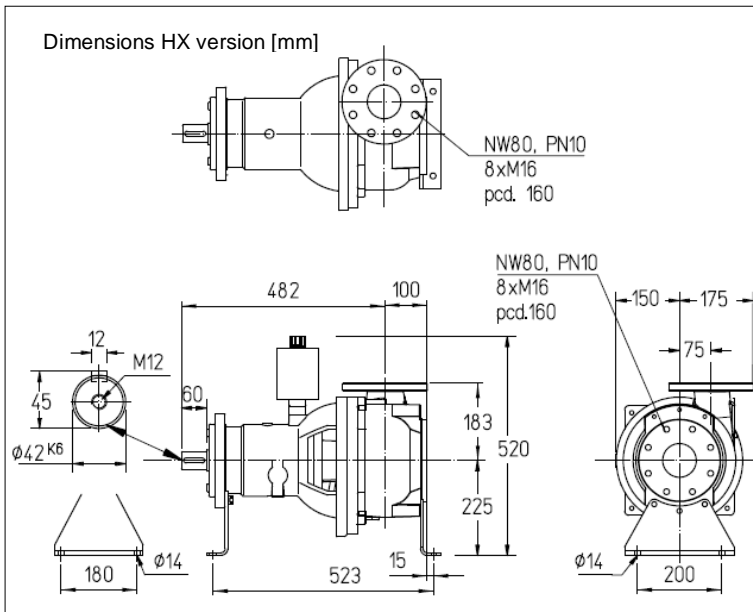
Horizontal bare shaft	HX	with motor and support	HM
Vertical bare shaft	VX	with motor and stand	VM
Horizontal short coupled	HS		
Vertical short coupled	VS		
V-belt driven	KM		

Available motors (IP55)

Size	kW	rpm
IEC 132S	5.5	3500
	7.5	3500
IEC 160M	11	3500
	15	3500

Optional

- Seal flushing



Pump type:	Dry installed Duplex pump
Application:	Waste water, Sewage
Solids passage	100 mm
Discharge diameter	100 mm
Suction diameter	125 mm
Impeller type:	Vortex
Impeller diameter	252 – 210 mm
Recommended min. flow	3.5 l/sec (13 m ³ /h)
Weight (HX version)	95 kg

Materials

Pump casing	AISI 329
Seal housing	AISI 329
Impeller	AISI 329
Pump shaft	AISI 316
Bolts	AISI 316
Seal lubrication	Oil
Seal pump side	Silicon carbide – silicon carbide - Viton
Seal motor side	Carbon - ceramic
Coating	Two component polyurethane

Installation options

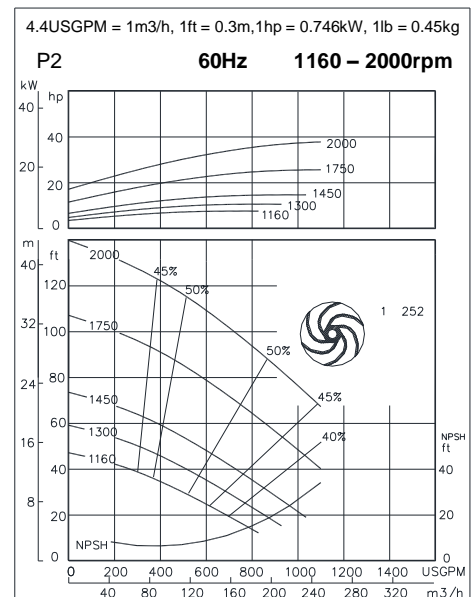
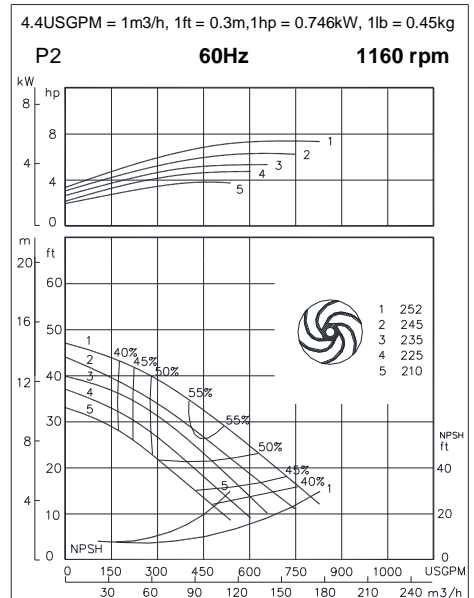
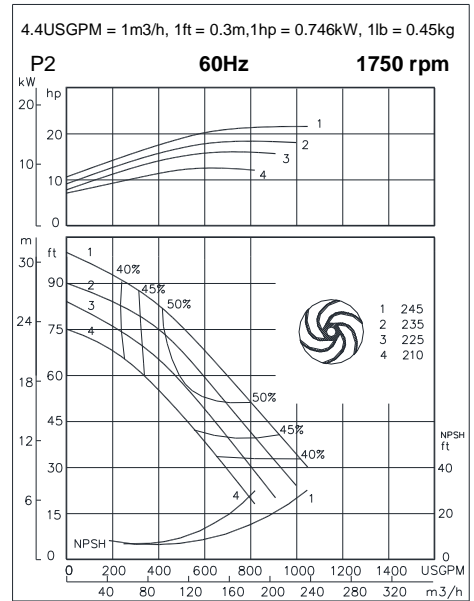
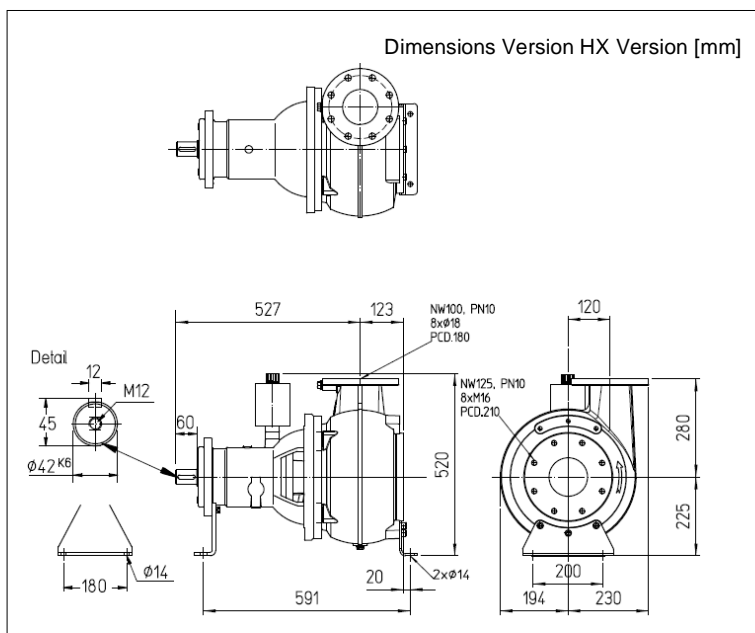
Horizontal bare shaft	HX	with motor and support	HM
Vertical bare shaft	VX	with motor and stand	VM
Horizontal short coupled	HS		
Vertical short coupled	VS		
V-belt driven	KM		

Available motors (IP55)

Size	kW	rpm
IEC 132S	5.5	1750
	3	1160
IEC 132M	7.5	1750
	4	1160
IEC 160M	11	1750
	7.5	1160
IEC 160L	15	1750

Optional

- Seal flushing



Pump type:	Dry installed Duplex Pump
Application:	Waste water, Seawater
Solids passage	100 mm
Discharge	NW100
Suction	NW125
Impeller type:	Vortex
Impeller diameter	335 – 225 mm
Recommended min. flow	6 l/sec (21 m3/h)
Weight (HX version)	120 kg

Materials

Pump casing	AISI 329
Seal housing	AISI 329
Impeller	AISI 329
Pump shaft	AISI 316
Pump support	S235JR
Bolts	AISI 316
Seal lubrication	Oil
Seal pump side	Silicon carbide – Silicon carbide - Viton
Seal motor side	Carbon - ceramic
Coating	Two component polyurethane

Installation options

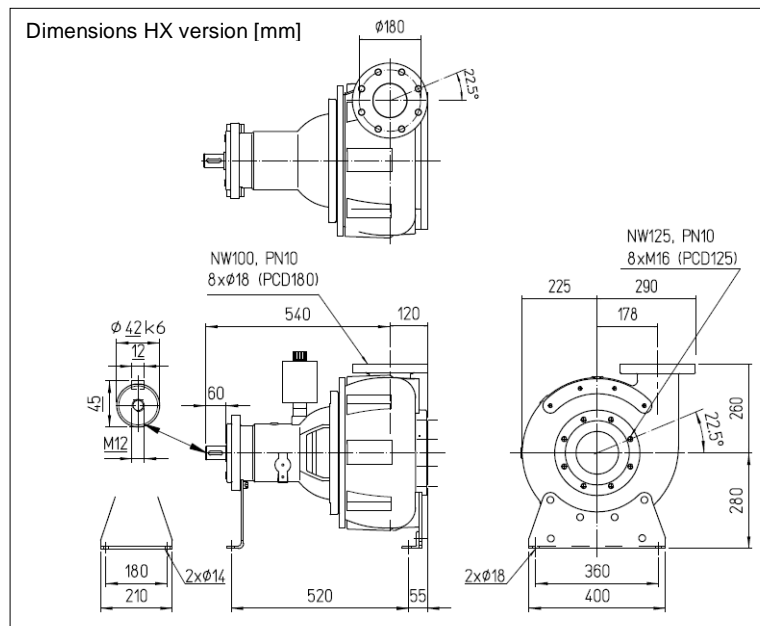
Horizontal bare shaft	HX	with motor and support	HM
Vertical bare shaft	VX	with motor and stand	VM
V-belt driven	KM		

Available motors (IP55)

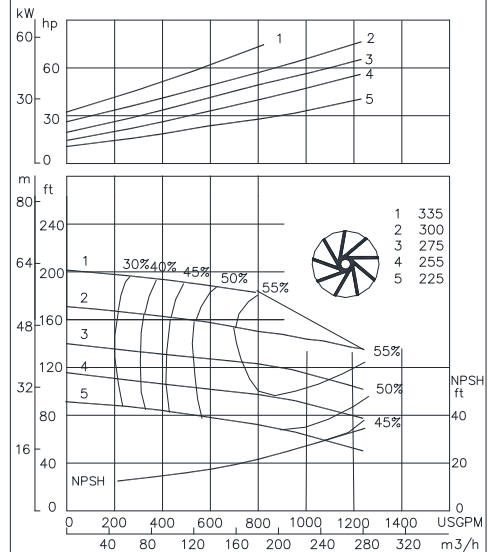
Size	kW	rpm
IEC 160L	11.0	1160
	15.0	1750
IEC 180M IEC180L	18.5	1750
	15.0	960
	22.0	1450
IEC 200L	18.5	1160
	22.0	1160
	30.0	1750
IEC 225S	37.0	1750
IEC 225M	45.0	1750

Optional

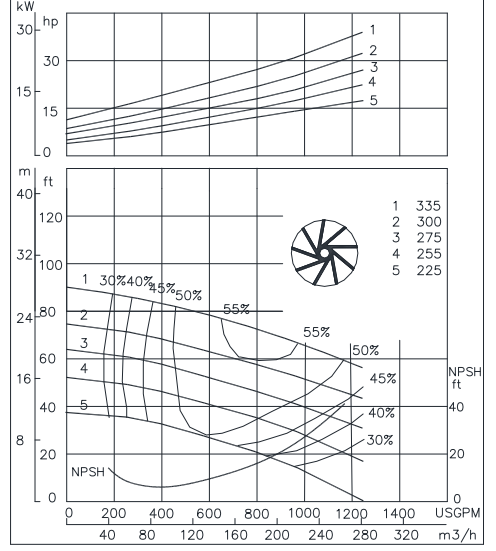
- Seal flushing



4.4USGPM = 1m3/h, 1ft = 0.3m, 1hp = 0.746kW, 1lb = 0.45kg
P2 60Hz 1750 rpm



4.4USGPM = 1m3/h, 1ft = 0.3m, 1hp = 0.746kW, 1lb = 0.45kg
P2 60Hz 1160 rpm



4.4USGPM = 1m3/h, 1ft = 0.3m, 1hp = 0.746kW, 1lb = 0.45kg
P2 60Hz 1750-960 rpm

