

Pump type:	Dry installed Duplex Pump
Application:	Waste water, Seawater
Solids passage	65 mm
Discharge	NW80
Suction	NW80
Impeller type:	Vortex
Impeller diameter	225 – 170 mm
Recommended min. flow	3.5 l/sec (13 m <sup>3</sup> /h)
Weight (HX version)	65 kg

**Materials**

Pump casing	AISI 329
Seal housing	AISI 329
Impeller	AISI 329
Pump shaft	AISI 316 (X5 CrNiMo 17 12 2)
Pump support	Fe 360
Bolts	AISI 316 (X5 CrNiMo 17 12 2)
Seal lubrication	Oil
Seal pump side	Silicon carbide – Silicon carbide - Viton
Seal motor side	Lip Seal
Coating	Two component polyurethane

**Installation options**

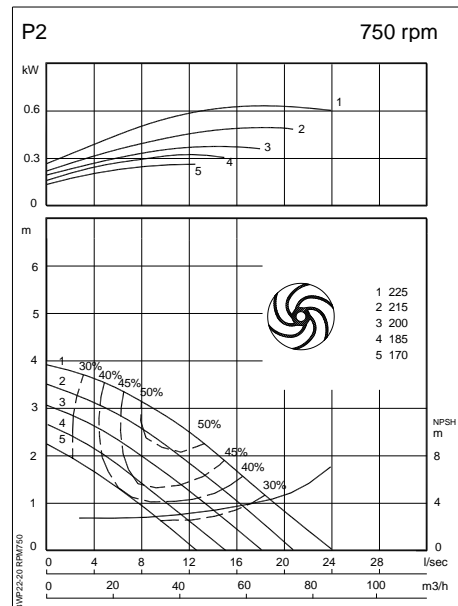
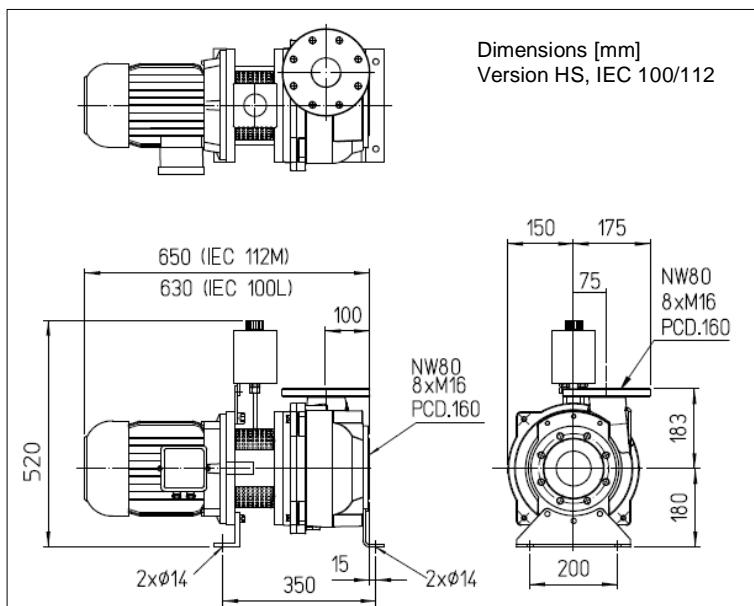
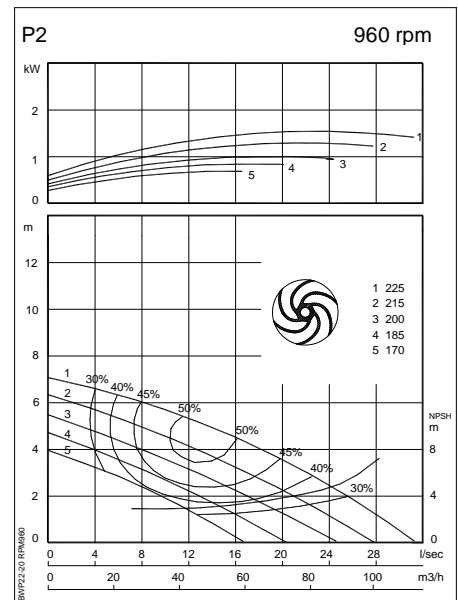
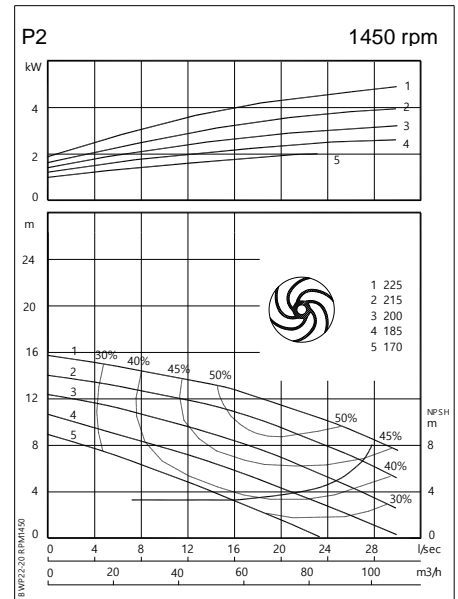
Horizontal short coupled	HS
Vertical short coupled	VS

**Available motors (IP55)**

Size	kW	rpm
IEC 100L	0.75	750
	1.5	960
	2.2	1450
	3.0	1450
IEC 112M	2.2	960
	4.0	1450
IEC 132S	3.0	960
	5.5	1450
IEC 132M	4.0	960
	5.5	960
	7.5	1450

**Optional**

- Seal flushing



Pump type:	Dry installed Duplex Pump
Application:	Waste water, Seawater
Solids passage	65 mm
Discharge	NW80
Suction	NW80
Impeller type:	Vortex
Impeller diameter	155 – 135 mm
Recommended min. flow	3.5 l/sec (13 m <sup>3</sup> /h)
Weight (HS version)	65 kg

**Materials**

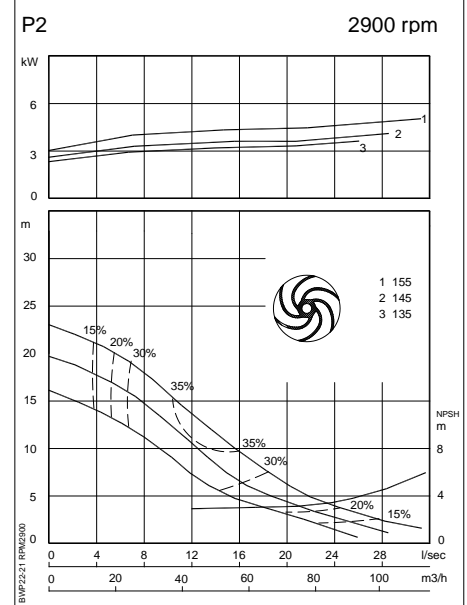
Pump casing	AISI 329
Seal housing	AISI 329
Impeller	AISI 329
Pump shaft	AISI 316 (X5 CrNiMo 17 12 2)
Pump support	Fe 360
Bolts	AISI 316 (X5 CrNiMo 17 12 2)
Seal lubrication	Oil
Seal pump side	Silicon carbide – Silicon carbide - Viton
Seal motor side	Lip Seal
Coating	Two component polyurethane

**Installation options**

Horizontal short coupled	HS
Vertical short coupled	VS

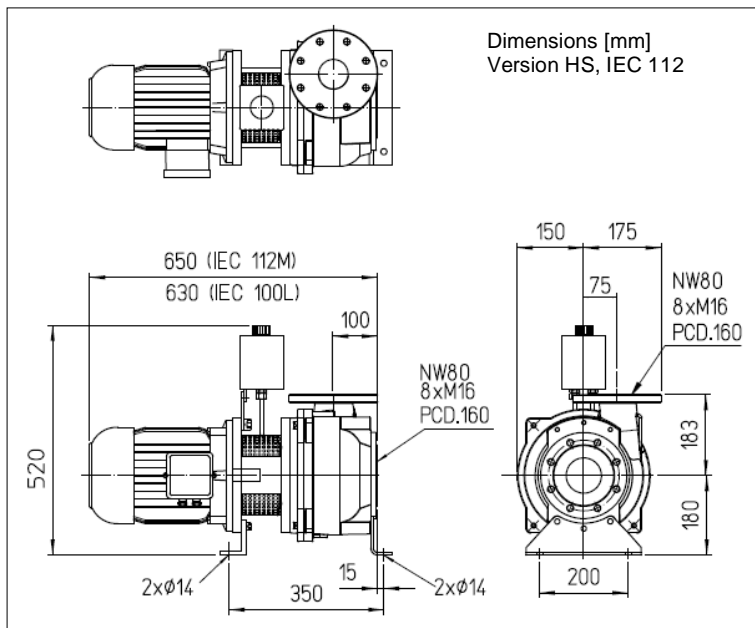
**Available motors (IP55)**

Size	kW	rpm
IEC 112M	4.0	2900
IEC 132S	5.5	2900
	7.5	2900



**Optional**

- Seal flushing



Pump type:	Dry installed Duplex Pump
Application:	Waste water, Seawater
Solids passage	100 mm
Discharge	NW100
Suction	NW125
Impeller type:	Vortex
Impeller diameter	252 – 200 mm
Recommended min. flow	6 l/sec (21 m <sup>3</sup> /h)
Weight (HS version)	70 kg

**Materials**

Pump casing	AISI 329
Seal housing	AISI 329
Impeller	AISI 329
Pump shaft	AISI 316 (X5 CrNiMo 17 12 2)
Pump support	Fe 360
Bolts	AISI 316 (X5 CrNiMo 17 12 2)
Seal lubrication	Oil
Seal pump side	Silicon carbide – Silicon carbide - Viton
Seal motor side	Lip Seal
Coating	Two component polyurethane

**Installation options**

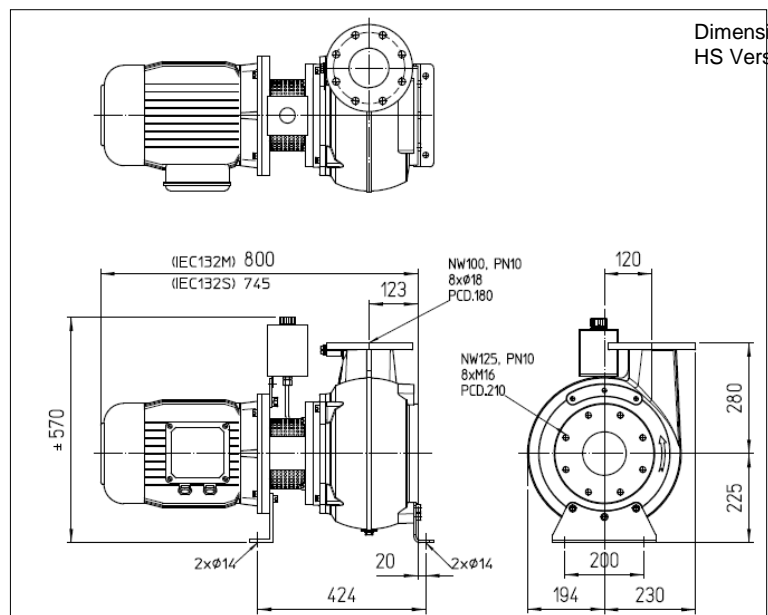
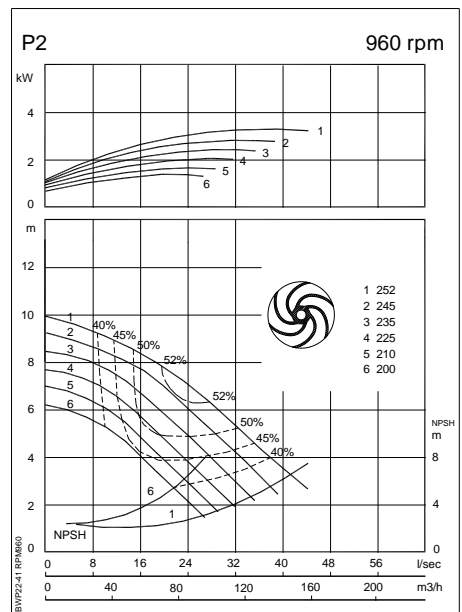
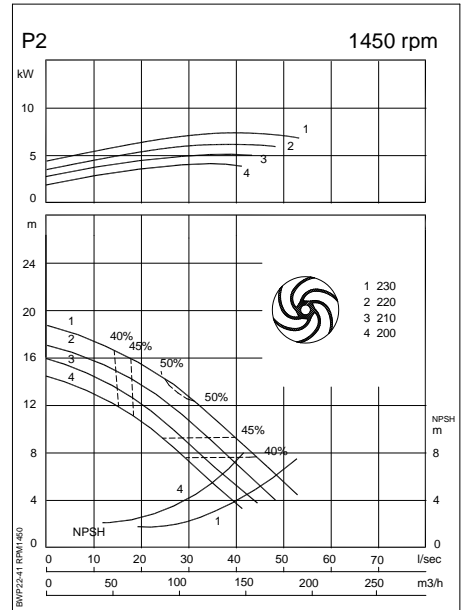
Horizontal short coupled	HS
Vertical short coupled	VS

**Available motors (IP55)**

Size	kW	rpm
IEC 100L	1.5	960
	2.2	1450
	3.0	1450
IEC 112M	2.2	960
	4.0	1450
IEC 132S	3.0	960
	5.5	1450
IEC 132M	4.0	960
	5.5	960
	7.5	1450

**Optional**

- Seal flushing



Pump type:	Dry installed Duplex Pump
Application:	Waste water, Seawater
Solids passage	65 mm
Discharge	NW80
Suction	NW80
Impeller type:	Vortex
Impeller diameter	225 – 170 mm
Recommended min. flow	3.5 l/sec (13 m <sup>3</sup> /h)
Weight (HX version)	75 kg

**Materials**

Pump casing	AISI 329
Seal housing	AISI 329
Impeller	AISI 329
Pump shaft	AISI 316 (X5 CrNiMo 17 12 2)
Pump support	Fe 360
Bolts	AISI 316 (X5 CrNiMo 17 12 2)
Seal lubrication	Oil
Seal pump side	Silicon carbide – Silicon carbide - Viton
Seal motor side	Carbon - ceramic
Coating	Two component polyurethane

**Installation options**

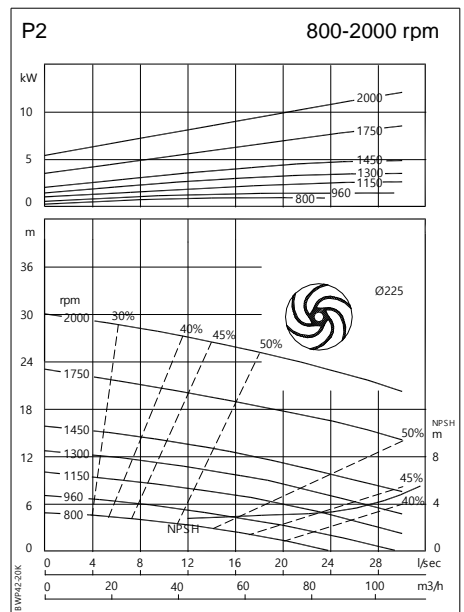
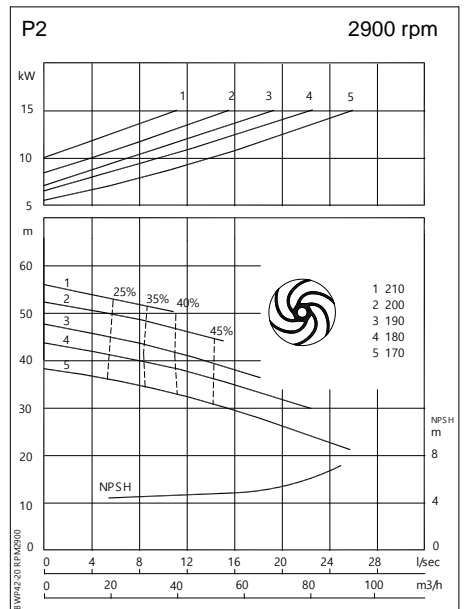
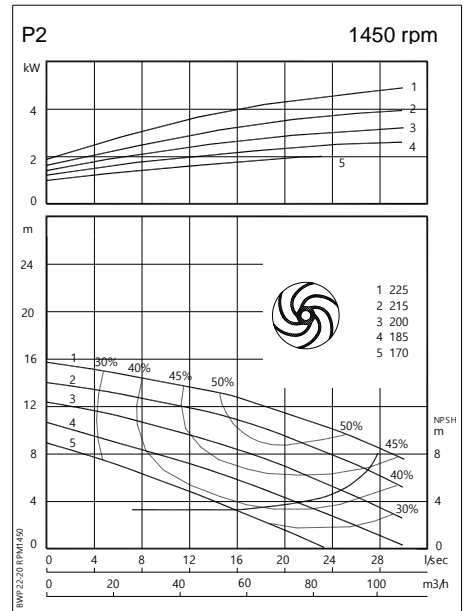
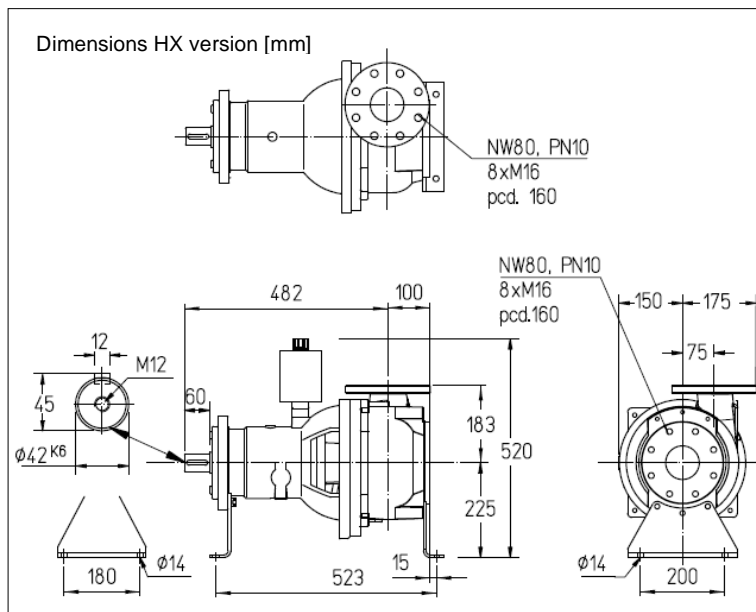
Horizontal bare shaft	HX	with motor and support	HM
Vertical bare shaft	VX	with motor and stand	VM
Horizontal short coupled	HS		
Vertical short coupled	VS		
V-belt driven	KM		

**Available motors (IP55)**

Size	kW	rpm
IEC 132S	5.5	1450
	5.5	2900
	7.5	2900
IEC 132M	7.5	1450
IEC 160M	11	1450
	11	2900
	15	2900

**Optional**

- Seal flushing



Pump type:	Dry installed Duplex Pump
Application:	Waste water, Seawater
Solids passage	65 mm
Discharge	NW80
Suction	NW80
Impeller type:	Vortex
Impeller diameter	178 – 140 mm
Recommended min. flow	3.5 l/sec (13 m <sup>3</sup> /h)
Weight (HX version)	75 kg

**Materials**

Pump parts	AISI 329
Seal housing	AISI 329
Impeller	AISI 329
Pump shaft	AISI 316 (X5 CrNiMo 17 12 2)
Pump support	Fe 360
Bolts	AISI 316 (X5 CrNiMo 17 12 2)
Seal lubrication	Oil
Seal pump side	Silicon carbide – silicon carbide - Viton
Seal motor side	Carbon - ceramic
Coating	Two component polyurethane

**Installation options**

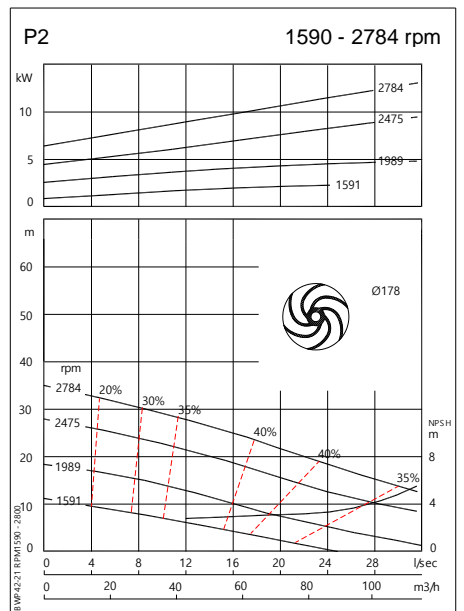
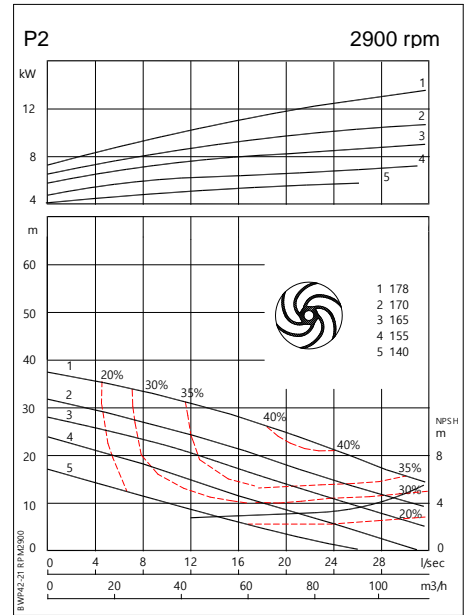
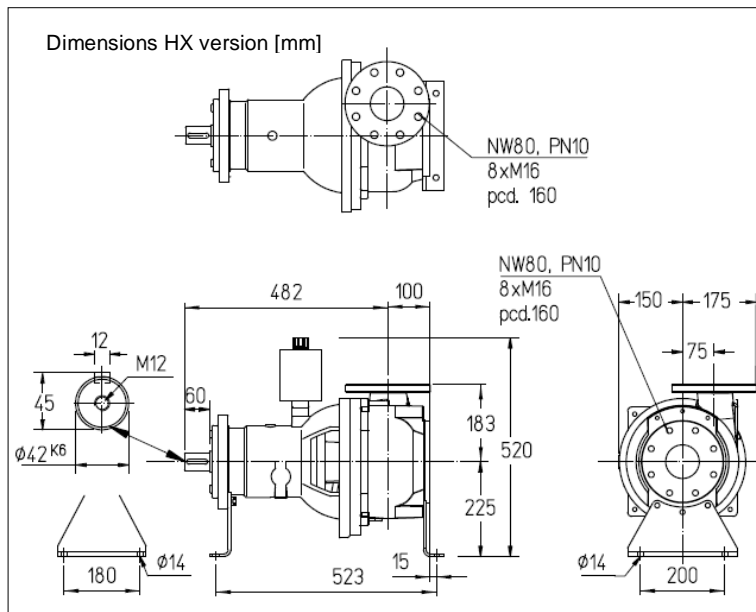
Horizontal bare shaft	HX	with motor and support	HM
Vertical bare shaft	VX	with motor and stand	VM
Horizontal short coupled	HS		
Vertical short coupled	VS		
V-belt driven	KM		

**Available motors (IP55)**

Size	kW	rpm
IEC 132S	5.5	2900
	7.5	2900
IEC 160M	11	2900
	15	2900

**Optional**

- Seal flushing



Pump type:	Dry installed Duplex Pump
Application:	Waste water, Sea water
Solids passage	100 mm
Discharge	NW100
Suction	NW125
Impeller type:	Vortex
Impeller diameter	252 – 200 mm
Recommended min. flow	6 l/sec (21 m3/h)
Weight (HX version)	80 kg

**Materials**

Pump casing	AISI 329
Seal housing	AISI 329
Impeller	AISI 329
Pump shaft	AISI 316 (X5 CrNiMo 17 12 2)
Pump support	Fe 360
Bolts	AISI 316 (X5 CrNiMo 17 12 2)
Seal lubrication	Oil
Seal pump side	Silicon carbide – silicon carbide - Viton
Seal motor side	Carbon - ceramic
Coating	Two component polyurethane

**Installation options**

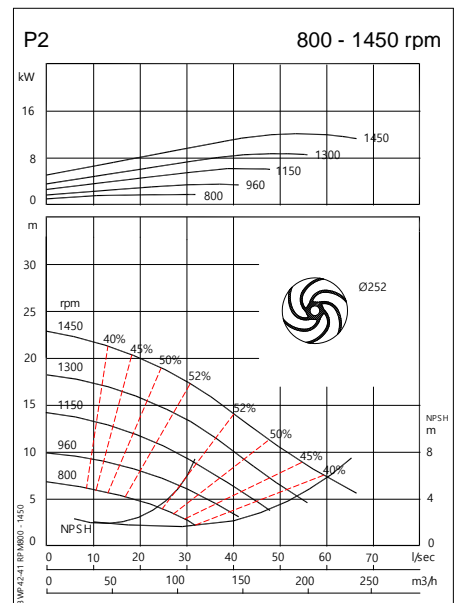
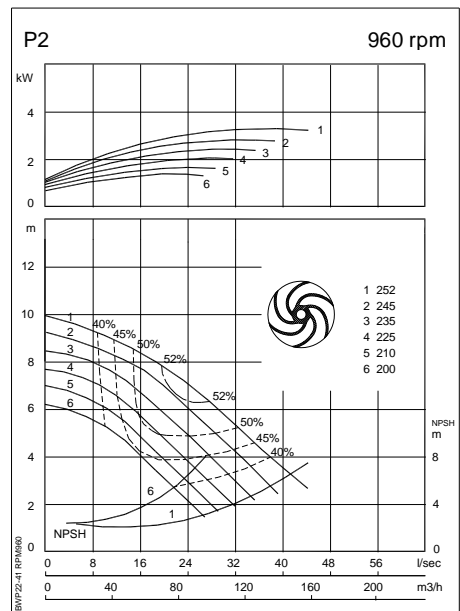
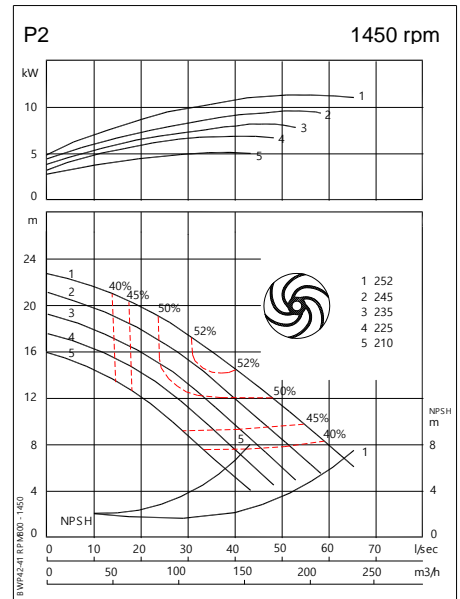
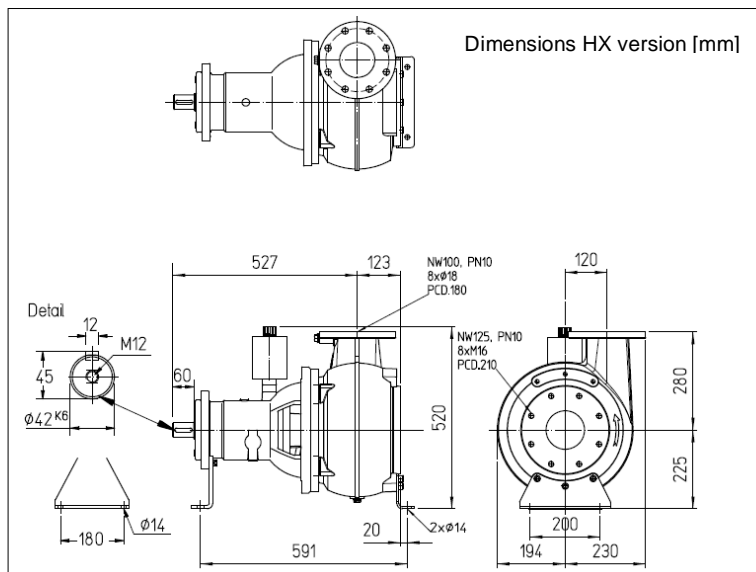
Horizontal bare shaft	HX	with motor and support	HM
Vertical bare shaft	VX	with motor and stand	VM
Horizontal short coupled	HS		
Vertical short coupled	VS		
V-belt driven	KM		

**Available motors (IP55)**

Size	kW	rpm
IEC 132S	3.0	960
	5.5	1450
IEC 132M	4.0	960
	5.5	960
	7.5	1450
IEC 160M	11.0	1450
IEC 160L	15.0	1450

**Optional**

- Seal flushing



Pump type:	Dry installed Duplex Pump
Application:	Waste water, Seawater
Solids passage	100 mm
Discharge	NW100
Suction	NW125
Impeller type:	Vortex
Impeller diameter	360 – 225 mm
Recommended min. flow	6 l/sec (21 m <sup>3</sup> /h)
Weight (HX version)	120 kg

**Materials**

Pump casing	AISI 329
Seal housing	AISI 329
Impeller	AISI 329
Pump shaft	AISI 316 (X5 CrNiMo 17 12 2)
Pump support	Fe 360
Bolts	AISI 316 (X5 CrNiMo 17 12 2)
Seal lubrication	Oil
Seal pump side	Silicon carbide – Silicon carbide - Viton
Seal motor side	Carbon - ceramic
Coating	Two component polyurethane

**Installation options**

Horizontal bare shaft	HX	with motor and support	HM
Vertical bare shaft	VX	with motor and stand	VM
V-belt driven	KM		

**Available motors (IP55)**

Size	kW	rpm
IEC 160L	11.0	960
	15.0	1450
IEC 180M	18.5	1450
IEC 200L	18.5	960
	22.0	960
IEC 225S	37.0	1450
	45.0	1450

**Optional**

- Seal flushing

