

| | |
|-----------------------------|----------------------------------|
| Pump type: | Dry installed Duplex Pump |
| Application: | Waste water, Seawater |
| Solids passage | 65 mm |
| Discharge | NW80 |
| Suction | NW80 |
| Impeller type: | Vortex |
| Impeller diameter | 225 – 170 mm |
| Recommended min. flow | 3.5 l/sec (13 m ³ /h) |
| Weight (HX version-IEC100L) | 65 kg |

Materials

| | |
|------------------|---|
| Pump casing | AISI 329 |
| Seal housing | AISI 329 |
| Impeller | AISI 329 |
| Pump shaft | AISI 316 |
| Pump support | S235JR |
| Bolts | AISI 316 |
| Seal lubrication | Oil |
| Seal pump side | Silicon carbide – Silicon carbide - Viton |
| Seal motor side | Lip Seal |
| Coating | Two component polyurethane |

Installation options

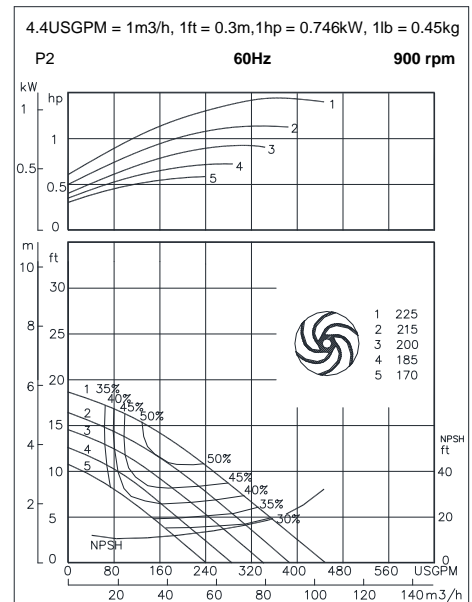
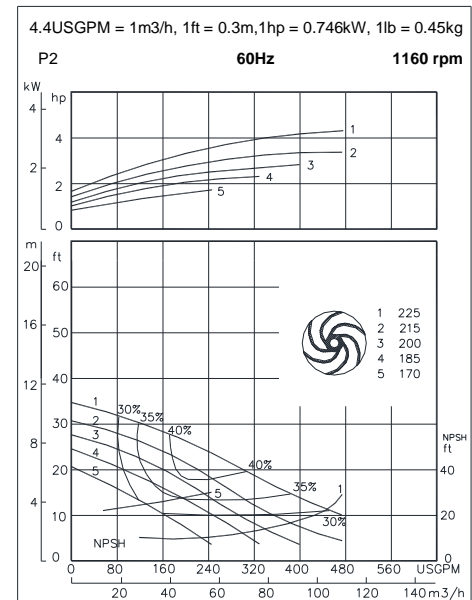
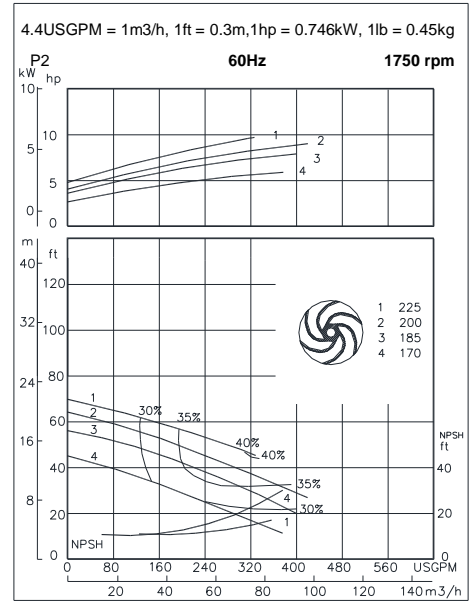
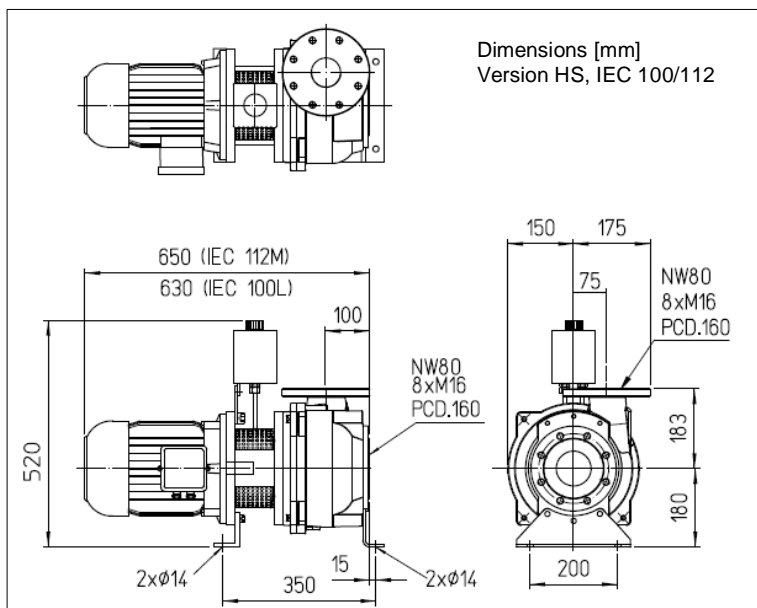
| | |
|--------------------------|----|
| Horizontal short coupled | HS |
| Vertical short coupled | VS |

Available motors (IP55)

| Size | kW | rpm |
|----------|------|------|
| IEC 100L | 0.75 | 900 |
| | 1.5 | 1160 |
| | 2.2 | 1750 |
| | 3.0 | 1750 |
| IEC 112M | 2.2 | 1160 |
| | 4.0 | 1750 |
| IEC 132S | 3.0 | 1160 |
| | 5.5 | 1750 |
| IEC 132M | 4.0 | 1160 |
| | 5.5 | 1160 |
| | 7.5 | 1750 |

Optional

- Seal flushing



| | |
|-----------------------|--|
| Pump type: | Dry installed vortex pump |
| Application: | Waste water, Sewage |
| Solids passage | 100 mm |
| Discharge diameter | 100 mm |
| Suction diameter | 125 mm |
| Impeller type: | Vortex |
| Impeller diameter | 252 – 210 mm |
| Recommended min. flow | 6 l/sec (22 m3/h) |
| Weight (HS version) | IEC100 95 kg, IEC112 110kg, IEC132 125kg |

Materials

| | |
|------------------|---|
| Pump parts | Cast iron GG 25 (EN-GJL-250) |
| Impeller | S.g. iron GGG 40 (EN-GJS-400-15) |
| Pump shaft | AISI 431 (X20 CrNi 17 2) Alt: AISI 316 (X5 CrNiMo 17 12 2) |
| Pump support | Fe 360 |
| Bolts | AISI 316 (X5 CrNiMo 17 12 2) |
| Seal lubrication | Oil |
| Seal pump side | Silicon carbide – silicon carbide |
| Seal motor side | Lip Seal |
| Coating | Two component polyurethane |

Installation options

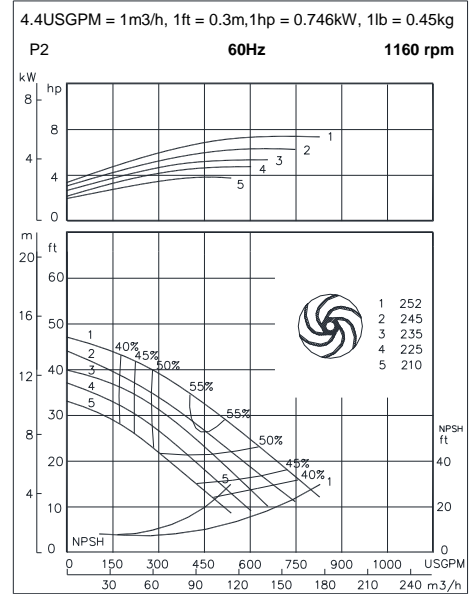
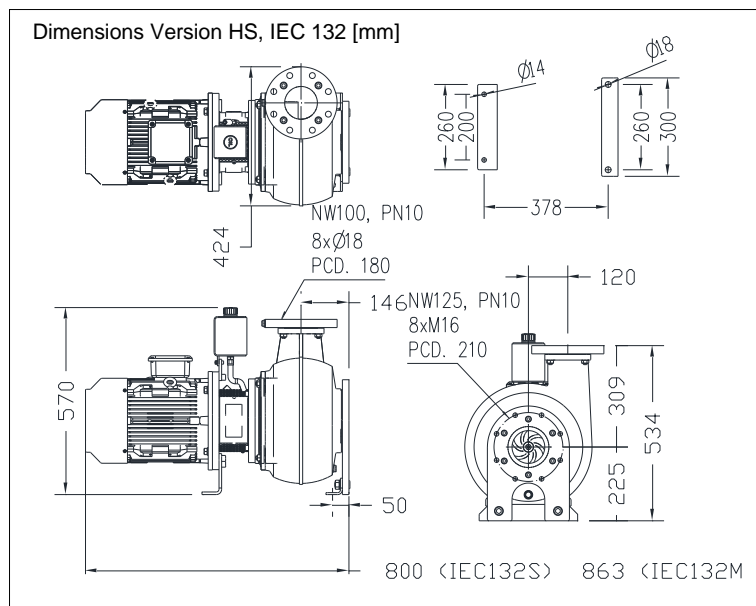
| | |
|--------------------------|----|
| Horizontal short coupled | HS |
| Vertical short coupled | VS |

Available motors (IP55)

| Size | kW | rpm |
|----------|------|------|
| IEC 100L | 0.75 | 900 |
| | 1.5 | 1160 |
| | 2.2 | 1750 |
| | 3.0 | 1750 |
| IEC 112M | 2.2 | 1160 |
| | 4.0 | 1750 |
| IEC 132S | 3.0 | 1160 |
| | 5.5 | 1750 |
| IEC 132M | 4.0 | 1160 |
| | 5.5 | 1160 |
| | 7.5 | 1750 |

Optional

- Seal flushing



| | |
|-----------------------|---|
| Pump type: | Dry installed Duplex pump |
| Application: | Waste water, Seawater |
| Solids passage | 100 mm |
| Discharge | NW100 |
| Suction | NW125 |
| Impeller type: | Vortex |
| Impeller diameter | 252 – 210 mm |
| Recommended min. flow | 6 l/sec (22 m3/h) |
| Weight (HS version) | IEC100 95 kg, IEC112 110kg, IEC132 125kg |

Materials

| | |
|------------------|---|
| Pump casing | AISI 329 |
| Seal housing | AISI 329 |
| Impeller | AISI 329 |
| Pump shaft | AISI 316 |
| Bolts | AISI 316 |
| Seal lubrication | Oil |
| Seal pump side | Silicon carbide – Silicon carbide - Viton |
| Seal motor side | Lip Seal |
| Coating | Two component polyurethane |

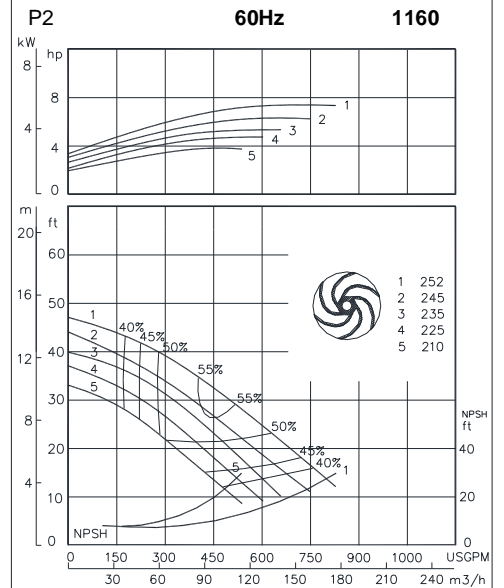
Installation options

| | |
|--------------------------|----|
| Horizontal short coupled | HS |
| Vertical short coupled | VS |

Available motors (IP55)

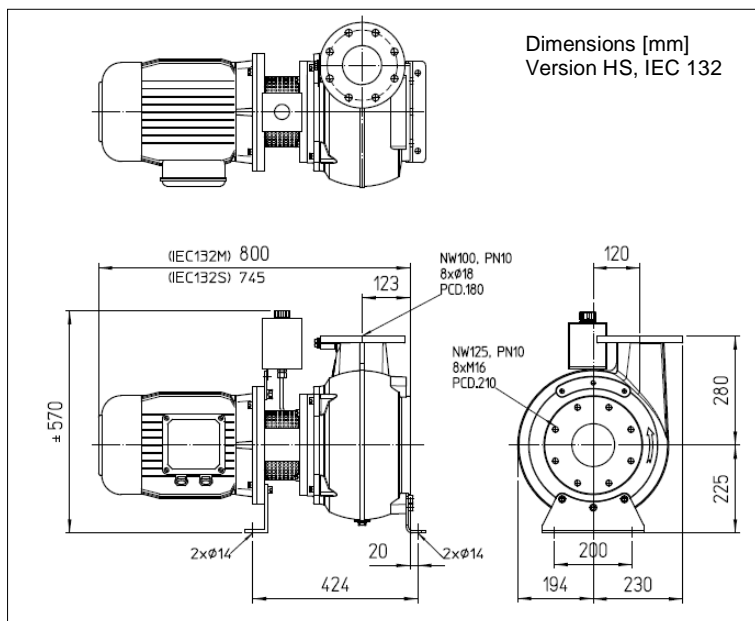
| Size | kW | rpm |
|----------|-----|------|
| IEC 100L | 1.5 | 1160 |
| IEC 112M | 2.2 | 1160 |
| IEC 132S | 3.0 | 1160 |
| IEC 132M | 4.0 | 1160 |
| | 5.5 | 1160 |

4.4USGPM = 1m3/h, 1ft = 0.3m, 1hp = 0.746kW, 1lb = 0.45kg



Optional

- Seal flushing



| | |
|-----------------------|----------------------------------|
| Pump type: | Dry installed Duplex Pump |
| Application: | Waste water, Seawater |
| Solids passage | 65 mm |
| Discharge | NW80 |
| Suction | NW80 |
| Impeller type: | Vortex |
| Impeller diameter | 225 – 170 mm |
| Recommended min. flow | 3.5 l/sec (13 m ³ /h) |
| Weight (HX version) | 95 kg |

Materials

| | |
|------------------|---|
| Pump casing | AISI 329 |
| Seal housing | AISI 329 |
| Impeller | AISI 329 |
| Pump shaft | AISI 316 (X5 CrNiMo 17 12 2) |
| Pump support | Fe 360 |
| Bolts | AISI 316 (X5 CrNiMo 17 12 2) |
| Seal lubrication | Oil |
| Seal pump side | Silicon carbide – Silicon carbide - Viton |
| Seal motor side | Carbon - ceramic |
| Coating | Two component polyurethane |

Installation options

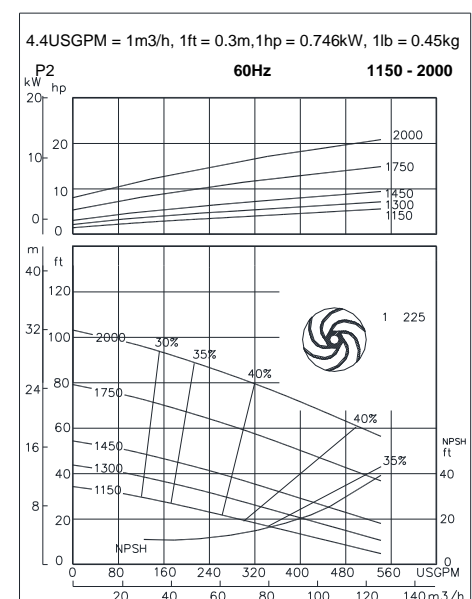
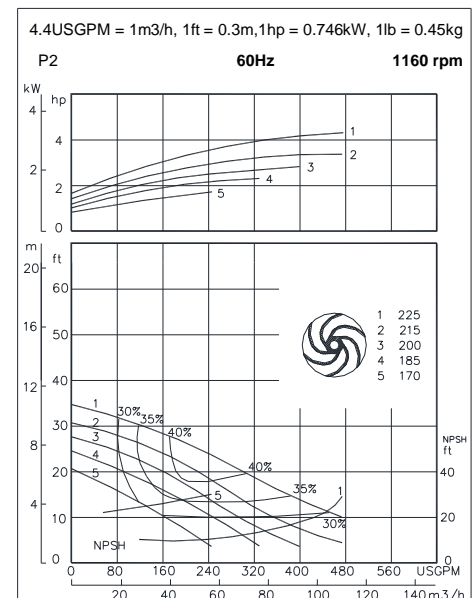
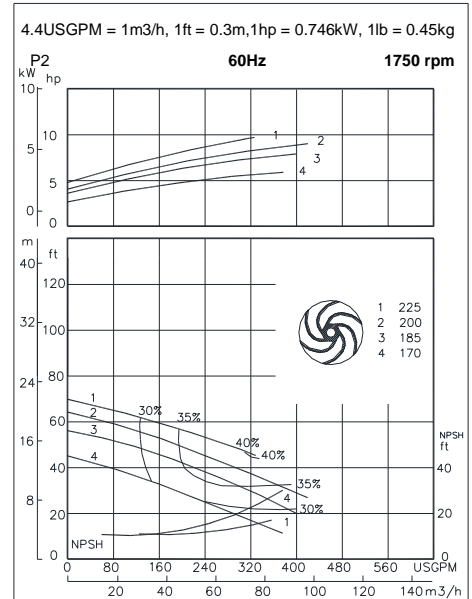
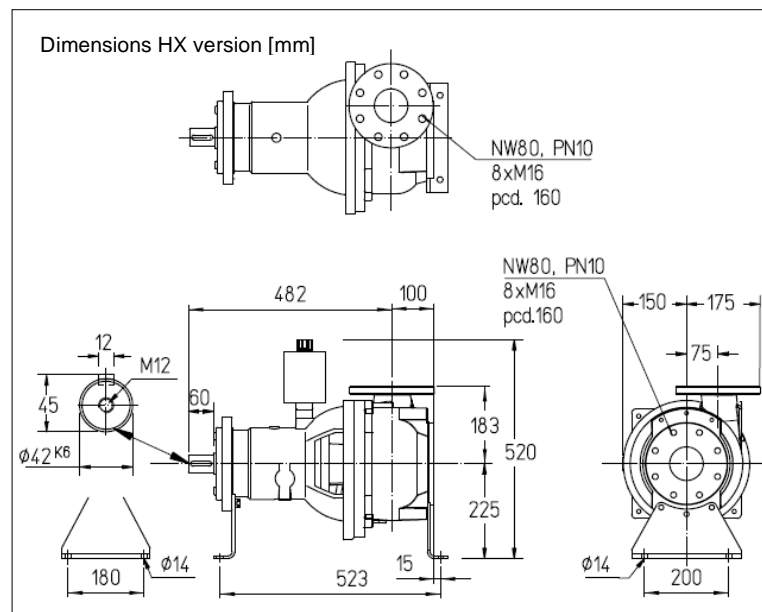
| | | | |
|--------------------------|----|------------------------|----|
| Horizontal bare shaft | HX | with motor and support | HM |
| Vertical bare shaft | VX | with motor and stand | VM |
| Horizontal short coupled | HS | | |
| Vertical short coupled | VS | | |
| V-belt driven | KM | | |

Available motors (IP55)

| Size | kW | rpm |
|----------|-----|------|
| IEC 132S | 5.5 | 1750 |
| | 3 | 1160 |
| IEC 132M | 7.5 | 1750 |
| | 4 | 1160 |
| IEC 160M | 11 | 1750 |

Optional

- Seal flushing



Pump type: Dry installed Duplex Pump

Application: Waste water, Seawater

Solids passage 65 mm
 Discharge NW80
 Suction NW80
 Impeller type: Vortex
 Impeller diameter 178 – 140 mm
 Recommended min. flow 3.5 l/sec (13 m³/h)
 Weight (HX version) 95 kg

Materials

Pump parts AISI 329
 Seal housing AISI 329
 Impeller AISI 329
 Pump shaft AISI 316 (X5 CrNiMo 17 12 2)
 Pump support Fe 360
 Bolts AISI 316 (X5 CrNiMo 17 12 2)
 Seal lubrication Oil
 Seal pump side Silicon carbide – silicon carbide - Viton
 Seal motor side Carbon - ceramic
 Coating Two component polyurethane

Installation options

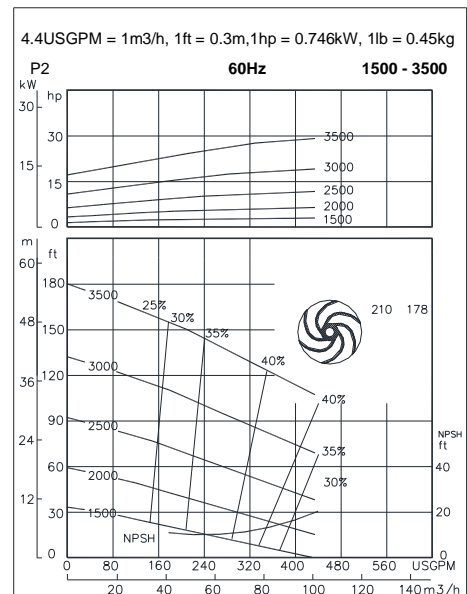
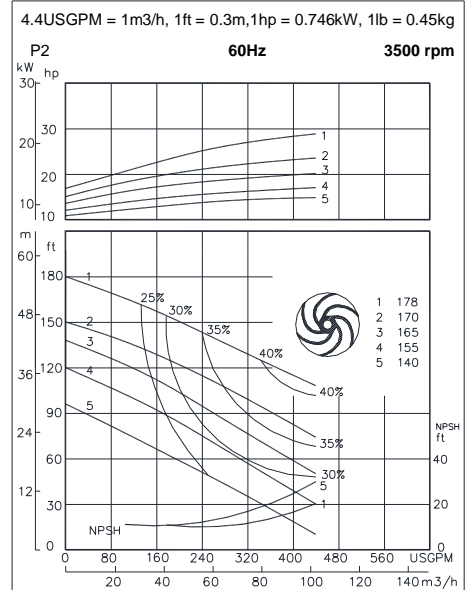
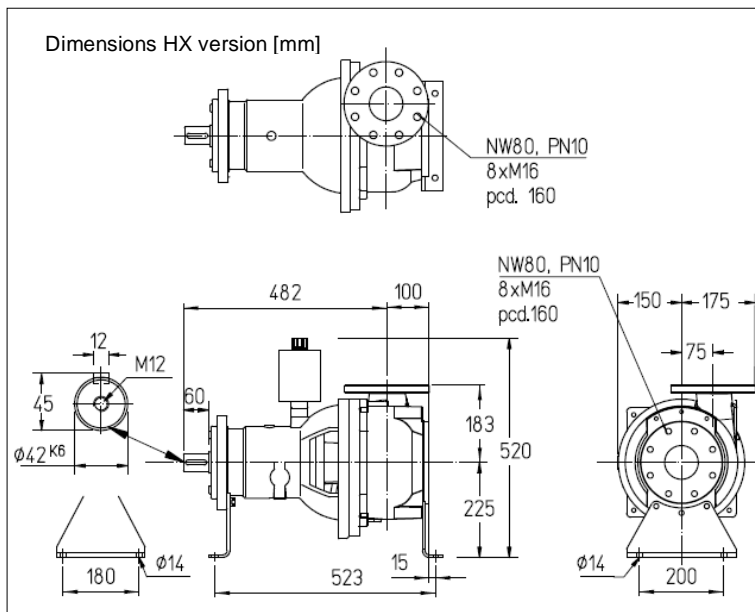
Horizontal bare shaft HX with motor and support HM
 Vertical bare shaft VX with motor and stand VM
 Horizontal short coupled HS
 Vertical short coupled VS
 V-belt driven KM

Available motors (IP55)

| Size | kW | rpm |
|----------|-----|------|
| IEC 132S | 5.5 | 3500 |
| | 7.5 | 3500 |
| IEC 160M | 11 | 3500 |
| | 15 | 3500 |

Optional

- Seal flushing



| | |
|-----------------------|----------------------------------|
| Pump type: | Dry installed Duplex pump |
| Application: | Waste water, Sewage |
| Solids passage | 100 mm |
| Discharge diameter | 100 mm |
| Suction diameter | 125 mm |
| Impeller type: | Vortex |
| Impeller diameter | 252 – 210 mm |
| Recommended min. flow | 3.5 l/sec (13 m ³ /h) |
| Weight (HX version) | 95 kg |

Materials

| | |
|------------------|---|
| Pump casing | AISI 329 |
| Seal housing | AISI 329 |
| Impeller | AISI 329 |
| Pump shaft | AISI 316 |
| Bolts | AISI 316 |
| Seal lubrication | Oil |
| Seal pump side | Silicon carbide – silicon carbide - Viton |
| Seal motor side | Carbon - ceramic |
| Coating | Two component polyurethane |

Installation options

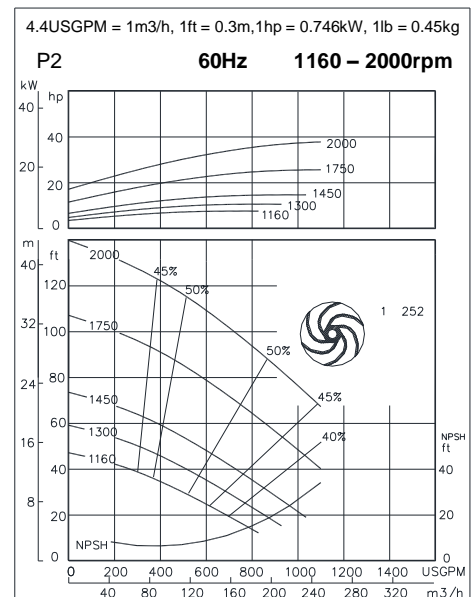
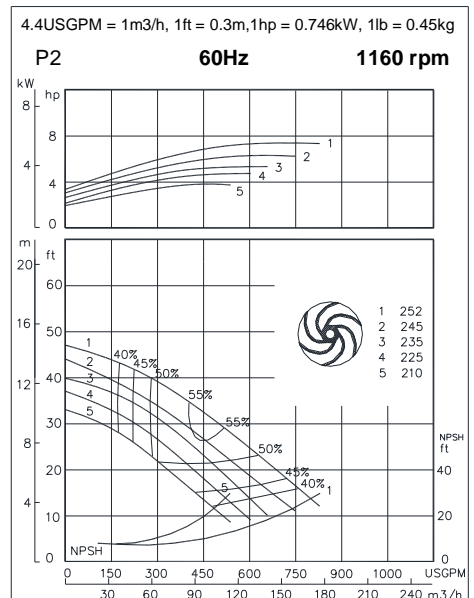
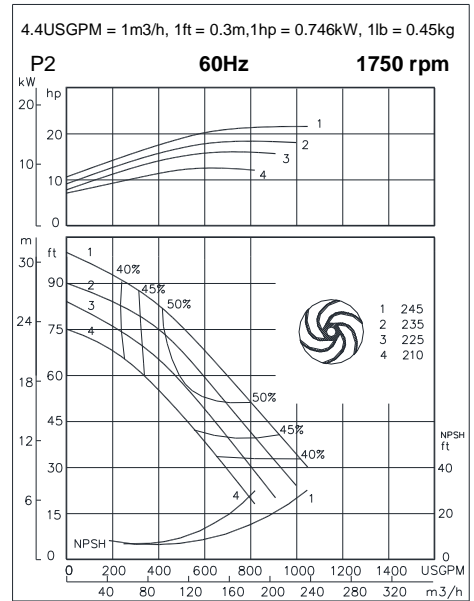
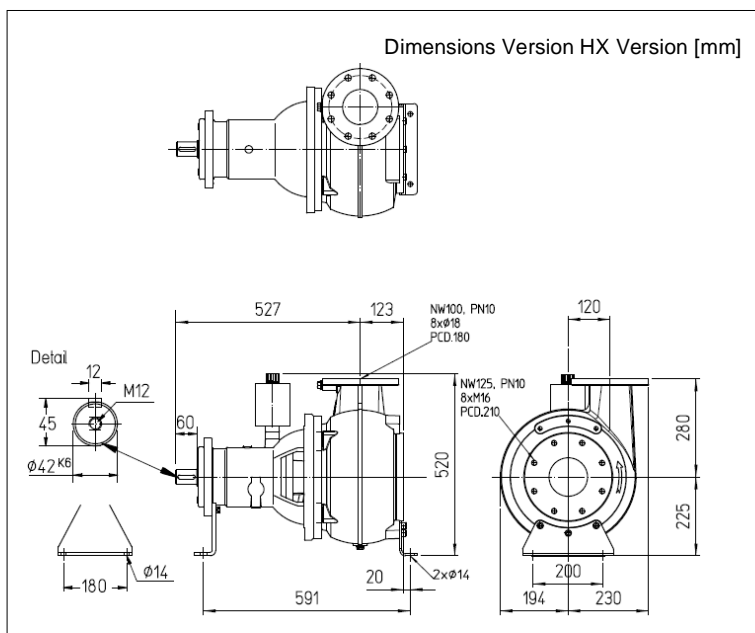
| | | | |
|--------------------------|----|------------------------|----|
| Horizontal bare shaft | HX | with motor and support | HM |
| Vertical bare shaft | VX | with motor and stand | VM |
| Horizontal short coupled | HS | | |
| Vertical short coupled | VS | | |
| V-belt driven | KM | | |

Available motors (IP55)

| Size | kW | rpm |
|----------|-----|------|
| IEC 132S | 5.5 | 1750 |
| | 3 | 1160 |
| IEC 132M | 7.5 | 1750 |
| | 4 | 1160 |
| IEC 160M | 11 | 1750 |
| | 7.5 | 1160 |
| IEC 160L | 15 | 1750 |

Optional

- Seal flushing



| | |
|-----------------------|---------------------------|
| Pump type: | Dry installed Duplex Pump |
| Application: | Waste water, Seawater |
| Solids passage | 100 mm |
| Discharge | NW100 |
| Suction | NW125 |
| Impeller type: | Vortex |
| Impeller diameter | 335 – 225 mm |
| Recommended min. flow | 6 l/sec (21 m3/h) |
| Weight (HX version) | 120 kg |

Materials

| | |
|------------------|---|
| Pump casing | AISI 329 |
| Seal housing | AISI 329 |
| Impeller | AISI 329 |
| Pump shaft | AISI 316 |
| Pump support | S235JR |
| Bolts | AISI 316 |
| Seal lubrication | Oil |
| Seal pump side | Silicon carbide – Silicon carbide - Viton |
| Seal motor side | Carbon - ceramic |
| Coating | Two component polyurethane |

Installation options

| | | | |
|-----------------------|----|------------------------|----|
| Horizontal bare shaft | HX | with motor and support | HM |
| Vertical bare shaft | VX | with motor and stand | VM |
| V-belt driven | KM | | |

Available motors (IP55)

| Size | kW | rpm |
|---------------------|------|------|
| IEC 160L | 11.0 | 1160 |
| | 15.0 | 1750 |
| IEC 180M IEC180L | 18.5 | 1750 |
| | 15.0 | 960 |
| | 22.0 | 1450 |
| IEC 200L | 18.5 | 1160 |
| | 22.0 | 1160 |
| | 30.0 | 1750 |
| IEC 225S | 37.0 | 1750 |
| IEC 225M | 45.0 | 1750 |

Optional

- Seal flushing

